



EZB-Edge[®]

 **Made in USA**



100% EFFICIENT ELECTRIC BOILER

The EZB-Edge is the complete solution for hydronic heating systems, designed with the contractor in mind. It is simply the easiest boiler to install!

AVAILABLE MAY 2020



NORTH AMERICA'S LEADER IN ELECTRIC HEATING TECHNOLOGY

The EZB-Edge is a complete boiler system for radiant floor heating or hot water baseboard applications. Since it is electric and no venting is required, the system is safe to operate and can be installed anywhere in the home. This provides both safety and convenience to the homeowner. Electro is committed to producing quality products manufactured to the highest standards, and the EZB-Edge is no exception.

The EZB-Edge replaces traditional piping with boiler systems. Most major plumbing components are integrated into one compact box, which saves on installation labor and valuable wall or floor space. Just hang the boiler on a wall and pipe down to the radiant manifold; it's that easy!

FEATURES

- » kW Output 5 to 20 kW
- » Btu/h Output 17,000 to 68,200 Btu/h
- » Temperature Sensing
- » WarmFlo Modulation Control
- » Dual Fuel Control
- » Outdoor Reset Capability
- » Single Zone or 4-Zone Controller for Valves or Pumps
- » ETL/Intertek Listed
- » ASME H-Stamp[†] Vessel
- » 2-Year Parts Warranty
- » 20-Year Vessel and Element Warranty

TOUCH SCREEN DISPLAY

SENSORS READOUT	
SUPPLY SENSOR	100 °F
RETURN SENSOR	85 °F
OUTDOOR SENSOR	25 °F
DESIRED OUTPUT	102 °F
<input type="button" value="HOME"/>	



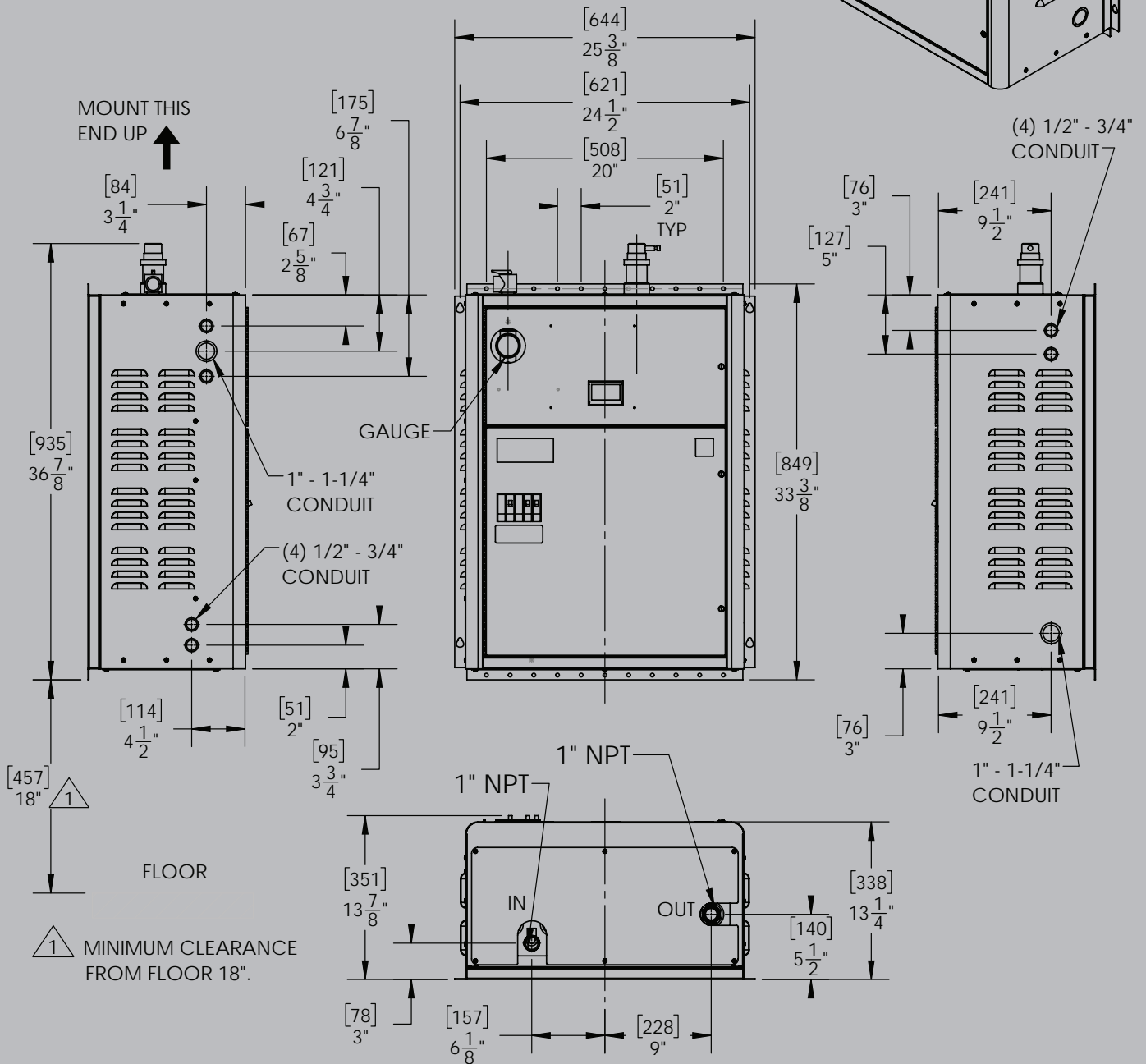
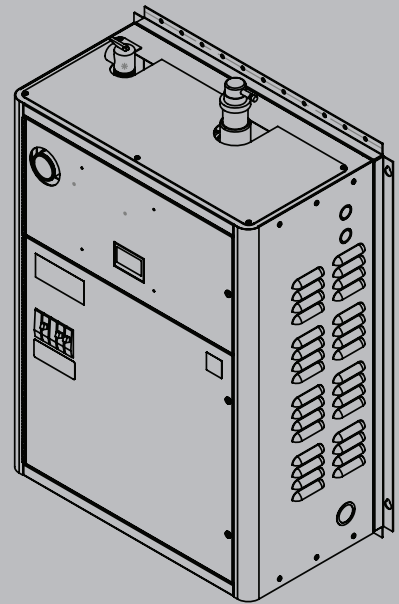
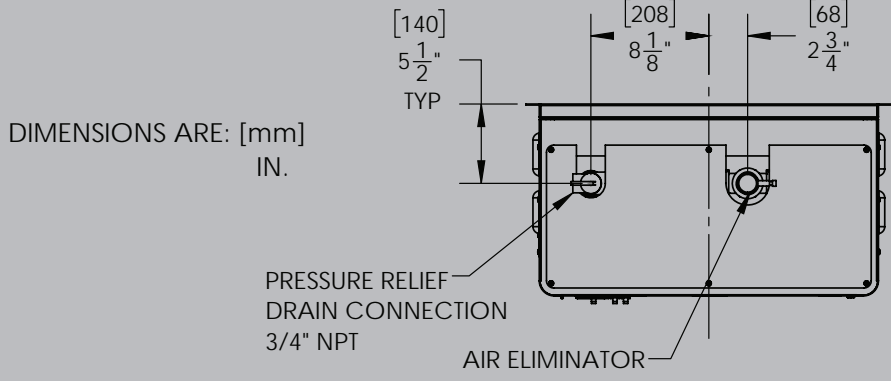
APPLICATIONS

- » Basements
- » Slab on Grade
- » Garages/Sheds
- » Room Additions



[†]Built in accordance to ASME Section IV.

DIMENSIONS





COMPONENTS INCLUDED

- » ASME Pressure Vessel
- » Incoloy Heating Elements
- » Pressure/Temperature Gauge
- » Temperature Sensors: Supply, Return & Outdoor
- » Auto Reset Hi-Limit, 190° F
- » Manual Reset Hi-Limit, 205° F
- » 30 psi Relief Valve
- » Air Eliminator
- » Pre-charged 12 psi Expansion Tank
- » Circulating Pump with Isolation Flanges
- » Circuit Breakers
- » Touch Screen Control Board



SPECIFICATIONS

Model	kW	Btu/h	Amps	Voltage	Phase	Breakers	Max Op Temp
EZB-E*-05-240-1	5	17,000	20.8	240/208	1	30A	180° F
EZB-E*-07-240-1	7	23,800	29.2	240/208	1	45A	180° F
EZB-E*-10-240-1	10	34,100	41.7	240/208	1	60A	180° F
EZB-E*-12-240-1	11.5	39,200	47.9	240/208	1	60A	180° F
EZB-E*-15-240-1	15	51,100	62.5	240/208	1	60A, 30A	180° F
EZB-E*-17-240-1	17.5	59,700	72.9	240/208	1	60A, 45A	180° F
EZB-E*-20-240-1	20	68,200	83.3	240/208	1	60A, 60A	180° F

*1 = 1 Zone 4 = 4 Zones

All EZB-Edge models:

Pressure Drop at 20°Δ T	0.7514 psi
Propylene Glycol/Water Mix	< 50%
Water Quality	7.5-10 pH level
Shipping Weight	125 lbs

Need more Btu/h output? Check out our full line of electric boilers at www.electromn.com

TO LOCATE A CONTRACTOR OR
DISTRIBUTOR IN YOUR AREA VISIT
WWW.ELECTROMN.COM AND CLICK ON
DEALER FINDER



**ELECTRO
INDUSTRIES**

Monticello, Minnesota
800.922.4138
www.electromn.com

All specifications subject to ELECTRO INDUSTRIES STANDARD TERMS
AND CONDITIONS, download at www.electromn.com/terms.pdf.