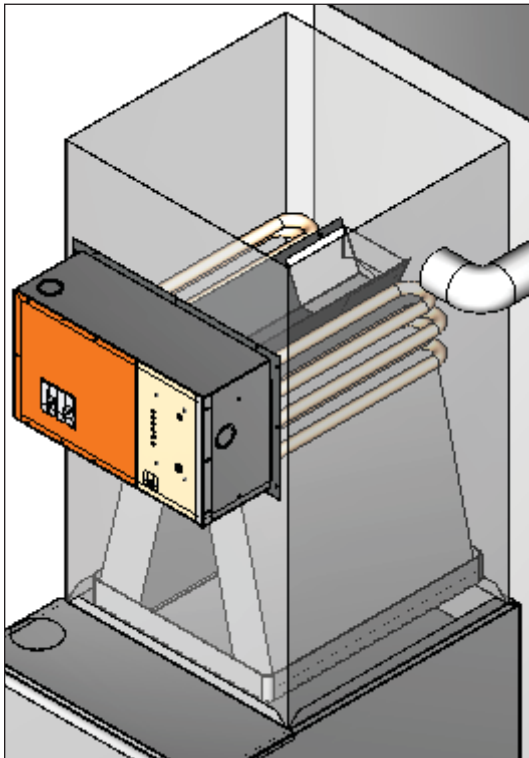


# ELECTRO EZ-MATE™

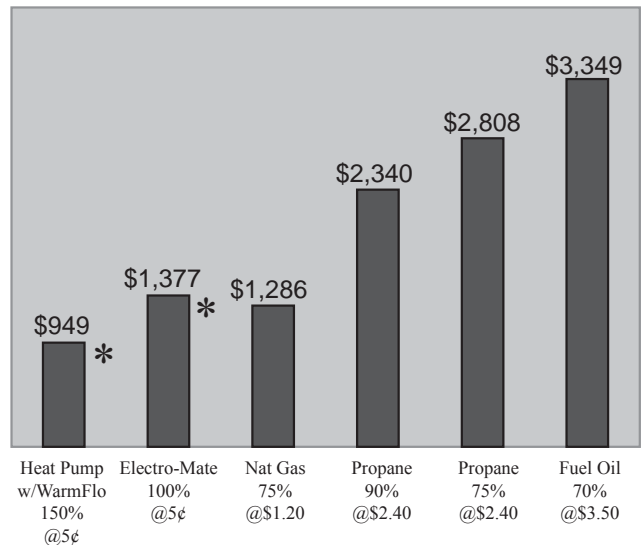
*Add a few controls and you get . . .*

*the easiest and lowest cost concept for converting gas to electric!*

- ◆ Uses low electric kWh rate for 91+ % of the annual heating <sup>Ⓞ</sup>
- ◆ 34,000 Btu/h heating capacity
- ◆ Time proven basic Electro-Mate plenum heater
- ◆ Added temperature sensing technology
- ◆ Can be added to most 100-amp service entrances
  - 5 kW firm load, 5 kW shed load <sup>Ⓞ</sup>
- ◆ Typically less airflow upgrades and less baffling requirements
- ◆ Minimal training required
- ◆ One model, can be used with **either** heat pump or air conditioning



Annual Energy Cost Comparison  
50,000 Btu/h, 8000 Degree Days



\*Adjusted for 100% gas/oil below 0° F.

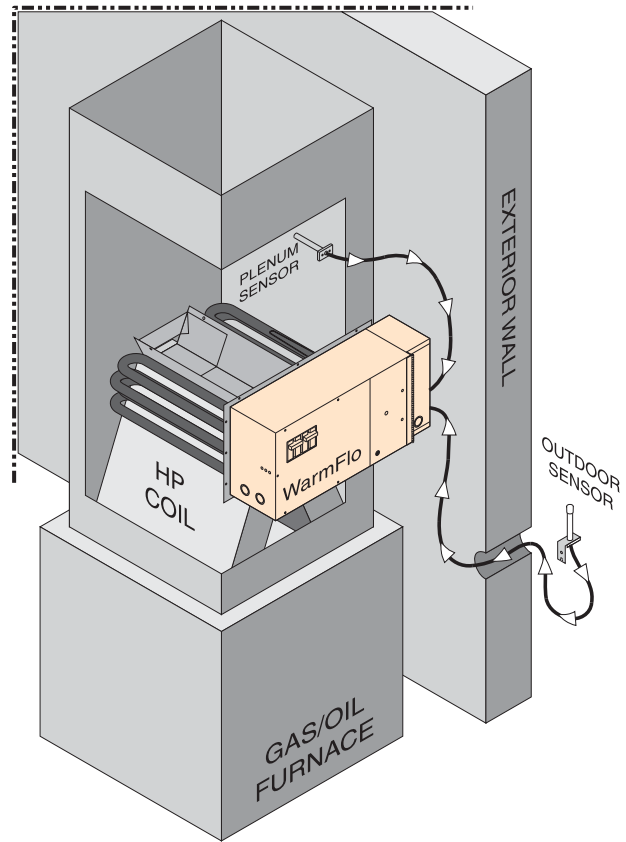


**ELECTRO  
INDUSTRIES**

Monticello, Minnesota  
800.922.4138  
www.electromn.com

## Basic Electro-Mate® Concept

- ◆ Approved zero clearance above A-coil or furnace
- ◆ Product concept and physical design unchanged since 1979
- ◆ Finned, metal rod elements
- ◆ One room thermostat for total system
- ◆ Fuel choice switch
- ◆ Utility Load Control connection
- ◆ Retain Natural Gas or LP furnace
- ◆ 20-year element warranty



## Basic WarmFlo® Concept

- ◆ Modulates electric elements
- ◆ Plenum and outdoor temperature sensing
- ◆ Automatic switchover
- ◆ Warm air comfort
- ◆ Heating capacity determined by outdoor temperature

## NEW EZ-Mate Features

- ◆ Setup dial selections - HP or non-HP
- ◆ No 2<sup>nd</sup> I/F “box” required
- ◆ No chip code selection required
- ◆ Designed for both single and variable speed blowers
- ◆ Mini Demand Control or Load Shed

## Suggested Switchover Settings ②

Heat Loss	Minneapolis		Bismarck		Denver		DesMoines		Akron	
	HP	Non-HP	HP	Non-HP	HP	Non-HP	HP	Non-HP	HP	Non-HP
65,000	+5	③	+10	③	+10	③	+5	③	+10	③
55,000	0	+15	0	+10	+5	+20	0	+15	+5	+20
45,000	-10	+5	-10	0	0	+10	-10	+5	0	+10
35,000	-15	-10	-15	-15	-15	0	-15	-10	-15	0

### Notes:

1. What is 5 kW load shed? The wire going to any household 3 to 5 kW load (e.g. dryer) is passed through a small donut CT. With the detection of turn-on, the EZ-Mate 5 kW is turned off. The use of this feature is only required if there are several large electrical appliances in the home.

National Electric Code (NEC), Annex D example 2a states “7 kW firm electric heating is allowed in a 100-amp service with an electric range, water heater, and dryer”.

2. A preset dial switch selects an outdoor temperature sensing point which automatically switches the system to gas. The EZ-Mate includes all components required for this feature.
3. This model not recommended for this Heat Loss size. Use 20 or 25 kW standard Electro-Mate/WarmFlo product.
4. On an annual basis there are very few heating hours below the switchover setting.

Example (45,000): Bismarck - HP, 246 hrs; non-HP, 665 hrs      Akron - HP, 22 hrs; non-HP, 96 hrs

## Ordering Information:

EM-LV104L8	34,000 Btu package, upflow, 18” width
EM-LV104L5	34,000 Btu package, upflow, 15” width
EM-LD104L8	34,000 Btu package, downflow, 18” width
EM-LD104L5	34,000 Btu package, downflow, 15” width