

Specification Sheet - EM-MB* Packaged Electric Make-Up Air

STANDARD EQUIPMENT

- Models available in 150 CFM
- Voltage - 120VAC, single phase
- WarmFlo® Digital Proportional Element Modulation
- Seven temperature set points, 20°F to 55°F
- Supply air temperature sensor
- Thermostat or end switch connection point for activation
- Integrated powered inlet damper
- Washable aluminum mesh filter
- Unique design allows for simplified installation
- Listed for horizontal or vertical installation
- Includes chain for suspended installations
- Can be easily wall-hung
- Hi-limits, automatic and manual reset
- Best in the industry warranty:
 - 20-year finned rod element warranty
 - 2-year parts warranty
- Made in the USA

TEMPERATURE RISE & CFM CHART - Selecting the best model for your application:

- 1 Choose your desired temperature rise (this is the difference between the coldest design day temperature and desired duct air temperature).
- 2 Move across the chart from your desired temperature rise to the CFM required (you may have to select a model with a higher CFM and adjust down to your required CFM at installation).

Example: In an application where your coldest day averages 0° F and you require 50° F duct air, choose 50° F temperature rise. If you require 500 CFM you would select the MD10.

kW →	1	1.6	5	7.2	10	15	20	14.4	21.6	
	CFM	CFM	CFM	CFM	CFM	CFM	CFM	CFM	CFM	
Required Temp Rise	80° F	39	71	197	277	395	604	790	553	869
	70° F	45	81	225	325	451	677	903	632	993
	60° F	53	95	260	379	526	790	1053	737	1160
	50° F	63	114	316	455	632	948	1264	885	N/A
	40° F	79	158	395	568	790	1185	N/A	1130	N/A
	30° F	105	168	526	758	1053	N/A	N/A	N/A	N/A

SPECIFICATIONS

Model*	kW	Btu/h	Amps	Internal CB	Motor FLA	Motor HP	Phase	Voltage	CFM		Max Fuse/HACR	Duct Connection	Weight
									Max	Static			
EM-MB02-120-1-06	1.6	5,459	13.3	N/A	0.5	1/18	1-50/60	120	150	0.03"	20A	6"	
EM-MB01-120-1-06	1	3,412	8.3	N/A	0.5	1/18	1-50/60	120	150	0.03"	15A	6"	
EM-MB00-120-1-06	0	0	0	N/A	0.5	1/18	1-50/60	120	150	0.03"		6"	

*Variable Speed: Medium and Low input are **NOT** available on 120V single phase models.



All specifications subject to ELECTRO INDUSTRIES STANDARD TERMS AND CONDITIONS, download at www.electromn.com/terms.pdf.



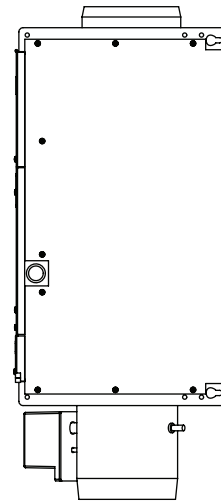
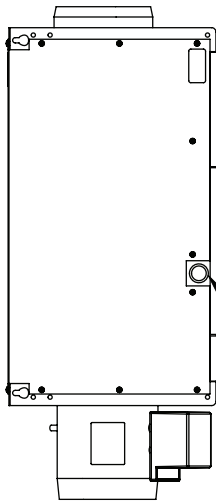
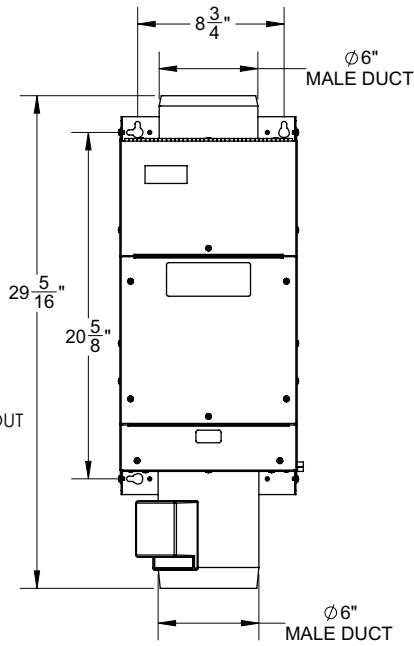
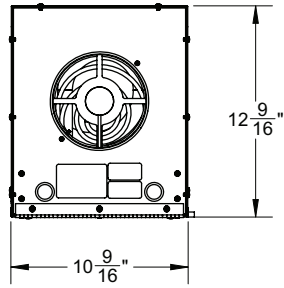
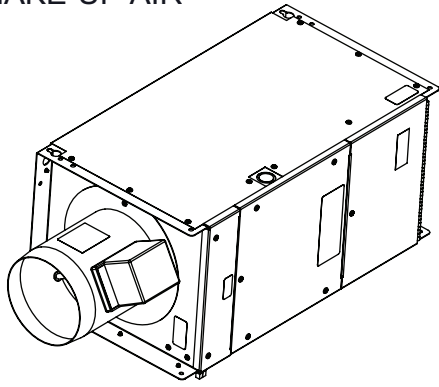
ELECTRO INDUSTRIES
 Monticello, Minnesota
 800.922.4138
www.electromn.com

Installation Specifications (Reference Installation & Operating Instructions, EI916 or EI917)

This product is designed for zero clearance, but use the following mounting and spacing criteria:

1. Unit can be installed vertically or horizontally. When vertical, inlet must face down.
2. Use Class II low voltage wiring methods to connect control circuit to Make-Up Air unit.
3. Make mounting provisions for a 1" air space at the top.
4. The sides, any location, can be in direct contact with wood framing materials.
5. No materials shall be in contact with the cabinet housing which has a flame point less than wood, 300° F (150° C).
6. Product shall be installed in a conditioned space only.

MAKE-UP AIR



MODEL EM-MB*