

# HEAT PUMP CONTROL

## Heat Pump†/Furnace Interface

### SIMPLICITY COUNTS

Especially when installing an air source heat pump. Installing an air source heat pump often times is confusing and complex. Our heat pump control greatly simplifies installation by using intelligent controls in an easy to use package.

#### Single Stage, WF-DFHP1

- SIMPLE AND EASY TO USE
- 4-WIRE THERMOSTAT COMPATIBLE
- BUILT-IN LOAD CONTROL THAT IMPROVES BLOWER STAGING COOLING CYCLES OVER OTHER LOAD CONTROL OPTIONS
- SELF-CONTAINED OUTDOOR THERMOSTAT BALANCE POINT SWITCHOVER
- FRONT PANEL OVERRIDE SWITCH
- SAFETY BACKUP TIMERS
- ABILITY TO TRANSFER OVER TO GAS FURNACE DURING DEFROST

#### Two Stage, WF-DFHP2

In addition to the features included in the WF-DFHP1 the WF-DFHP2 includes:

- CONVENTIONAL 1H/1C OR 2H/2C
- FRONT PANEL HP STAGE 1 AND STAGE 2 LED'S
- BUILT-IN MULTI-SPEED BLOWER CONTROL
- TEMPERATURE SENSING BLOWER CONTROL



†Interface compatible with the heat pump section only.  
Unit does not interface with electric strip heat.

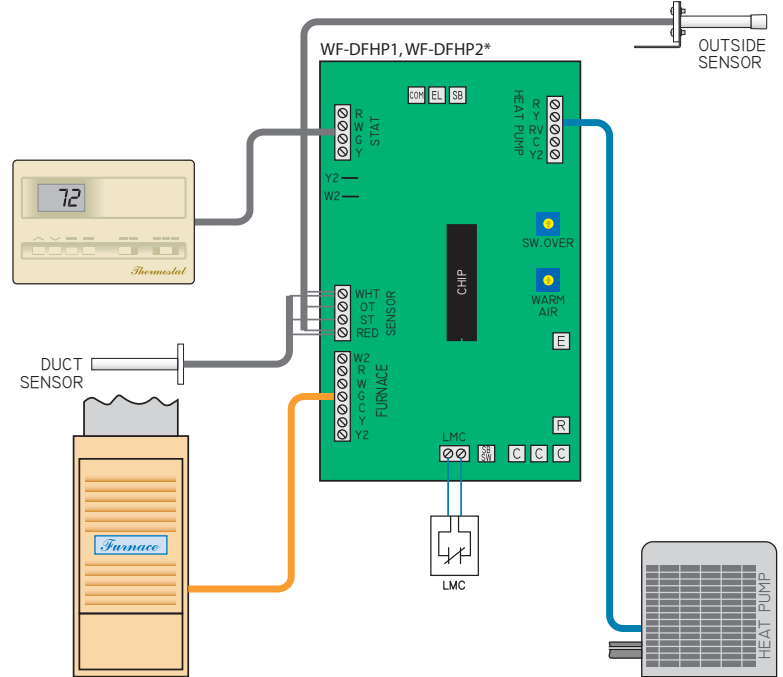
# SPECIFICATIONS

Specification	WF-DFHP1	WF-DFHP2
Standard 4-wire 1H/1C thermostat	YES	YES
Standard 6-wire 2H/2C thermostat	NO	YES
24VAC from furnace	YES	YES
25 ft.* outdoor balance point sensor	YES	YES
10 ft. indoor supply sensor	YES	YES
Single stage heat pump	YES	NO
Two stage heat pump	NO	YES
Variable speed fan	AVAILABLE <sup>†</sup>	YES
Multi-wire heat pump thermostat	NO	NO

\*Field extendable to 50 ft.

<sup>†</sup>Requires additional relay, part number EE-5053.

# HOOKUP



WF-DFHP2 shown.

\*Y2 and W2 terminals available only on the WF-DFHP2.

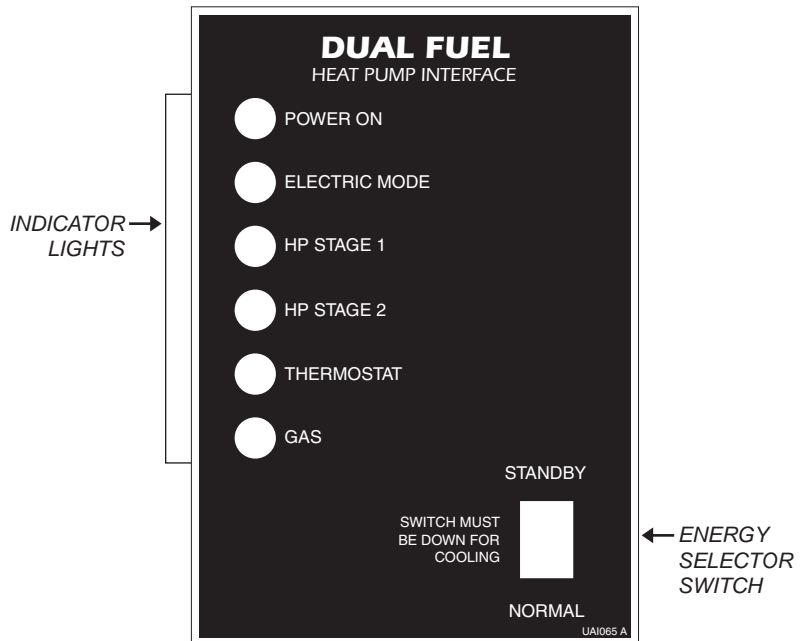
ART-142

# FEATURES

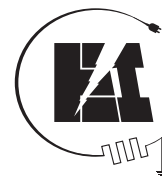
- Heat pump defrost forces gas on (option overheat sensor)
- Plenum warm air sensing timeout delay (secondary switchover)
- Stat override timer (SOT-S) offers safety backup to gas furnace
- WF-ANZ7 Analyzer allows set point field changes
- Terminal block points for all low voltage wiring
- Furnace blower energized for heat pump, de-energized for gas
- Built-in blower purge
- Compatible with variable speed furnace

# SYSTEM MONITOR

WF-DFHP2 shown.



Specifications subject to change without notice, all rights reserved.



**ELECTRO INDUSTRIES**  
 Monticello, Minnesota  
 800.922.4138  
 www.electromn.com