

Specification Data Sheet - Mini-Boiler™ Series

STANDARD EQUIPMENT

Staging - EMB-S-*

- Supply water sensing
- Regulates to front panel selected temperature
- Temperature range 90° F to 160° F
- Staging indicator lights
- DC power relays
- Hi-limits: 1st - automatic reset at 190° F
2nd - manual reset at 205° F
- Circulator switching relay - 10-amp maximum
- Thermostat or end switch connection (R and W)

- Utility load control provisions
- 1 gl. steel vessel ASME "H" Stamp (20-year warranty)
- Supply temperature/pressure gauge
- Safety relief valve (30 PSI)
- Made in the USA

Modulating - EMB-H-*

- Same as EMB-S-* PLUS
- Modulates for tighter temperature control
- Temperature range 90° F to 180° F
- Hi-limits: 1st - automatic reset at 200° F
2nd - manual reset at 205° F

WATER FLOW REQUIREMENTS (MINIMUM 0.3 GPM PER KW WATER FLOW THROUGH BOILER)

Model	Water Temperature Rise											
	Flow - 10° F/6° C		Head Loss		Flow - 20° F/11° C		Head Loss		Flow - 30° F/16° C		Head Loss	
	gpm	lpm	ft	m	gpm	lpm	ft	m	gpm	lpm	ft	m
EMB-*-1	.75	2.83	.01	.003	.37	1.39	.003	.001	.25	1.89	.003	.001
EMB-*-2	1.7	6.43	.01	.006	.85	3.21	.02	.006	.56	2.11	.004	.001
EMB-*-4	3.41	12.88	.08	.024	1.70	6.42	.04	.012	1.13	4.27	.02	.006
EMB-*-5	3.07	11.60	.06	.018	1.53	5.78	.02	.006	1.02	3.85	.02	.006
EMB-*-7	4.78	18.06	.12	.036	2.39	9.03	.06	.01	1.59	6.01	.02	.006
EMB-*-9	6.14	23.20	.23	.07	3.07	11.60	.10	.03	2.04	7.71	.06	.018

* = S or H

Note: Head Loss based on 110° F return temperature.

ELECTRIC SUPPLY

Model	Volts	Phase	kW	Watts	Btu/h	Amps	CB
EMB-*-1	120	1-60	1.1	1,100	3,753	9.2	N/A
EMB-*-2	120	1-60	2.5	2,500	8,530	20.8	N/A
EMB-*-4	120	1-60	5	5,000	17,060	41.7	N/A
EMB-*-5	240/208	1-60	4.5/3.5	4,500/3,500	15,354/11,942	18.8/16.8	30A
EMB-*-7	240/208	1-60	7/5.3	7,000/5,300	23,885/17,913	29.2/25.2	45A
EMB-*-9	240/208	1-60	9/7	9,000/7,000	30,709/23,885	37.5/33.7	60A

* = S or H

CLEARANCES

	MINIMUM CLEARANCE FROM COMBUSTIBLE SURFACES		SUGGESTED MINIMUM SERVICE CLEARANCE	
	0 INCH	0 MM	0 INCH	0 MM
BACK	0 INCH	0 MM	0 INCH	0 MM
LEFT	1 INCH	25 MM	12 INCHES	305 MM
RIGHT	1 INCH	25 MM	12 INCHES	305 MM
FRONT	1 INCH	25 MM	24 INCHES	610 MM
TOP	1 INCH	25 MM	24 INCHES	610 MM
BOTTOM	REQUIRED CLEARANCE - 18 INCHES/457 MM			

WEIGHT

Model	Weight (lbs)	Model	Weight (lbs)
EMB-*-1		EMB-*-5	
EMB-*-2		EMB-*-7	
EMB-*-4		EMB-*-9	

* = S or H



ELECTRO INDUSTRIES

Monticello, Minnesota
800.922.4138
www.electromn.com

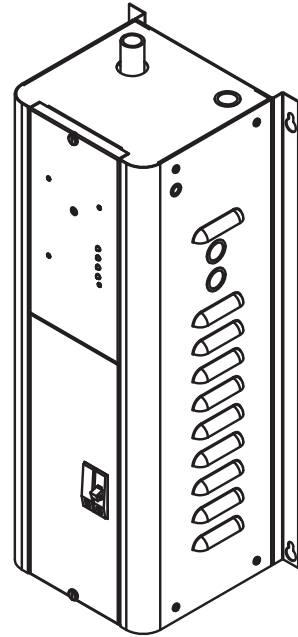
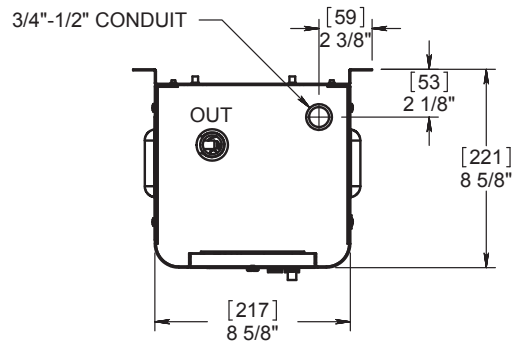
All specifications subject to ELECTRO INDUSTRIES STANDARD TERMS AND CONDITIONS, download at www.electromn.com/terms.pdf.

05/20/2019

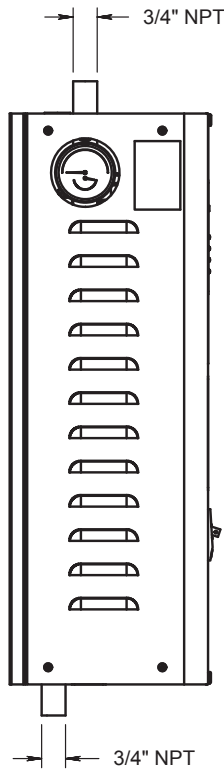
BL306

MINI-BOILER, EMB-(H,S)-*

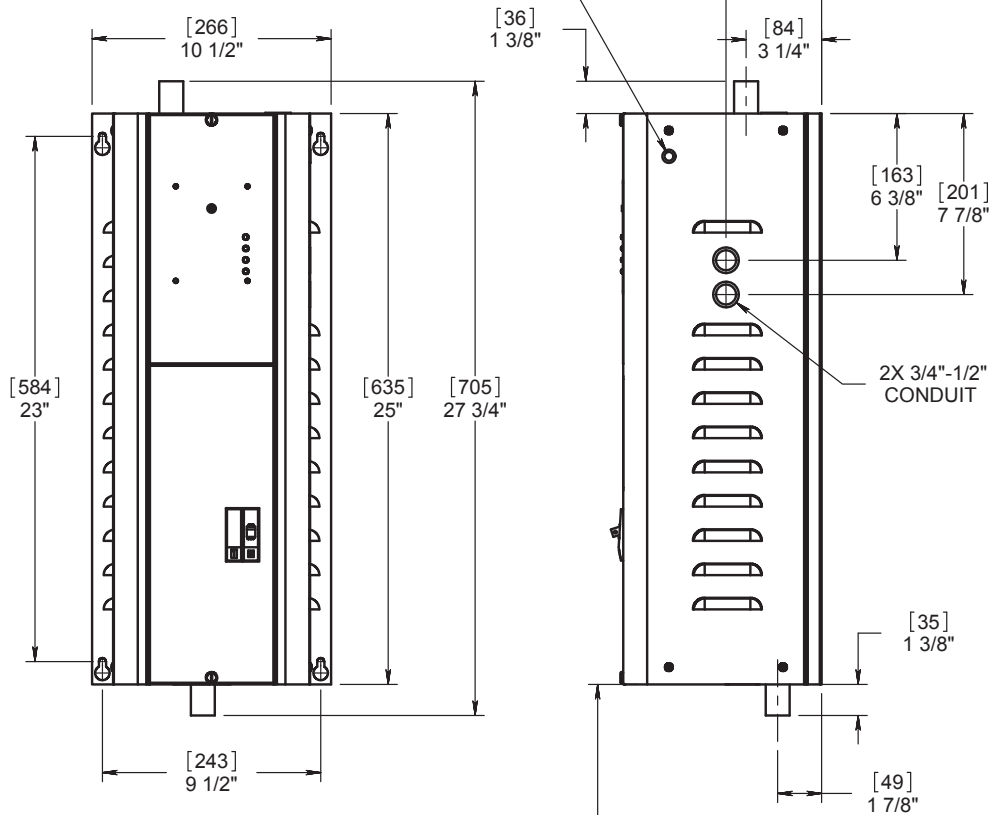
Hydronic Boilers
 Submittal Data



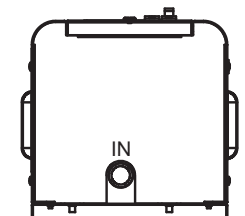
MOUNT THIS END UP



3/8" THERMOSTAT WIRE OPENING



[457] MINIMUM CLEARANCE
 18" FROM FLOOR



DIMENSIONS ARE:
 [mm]
 IN