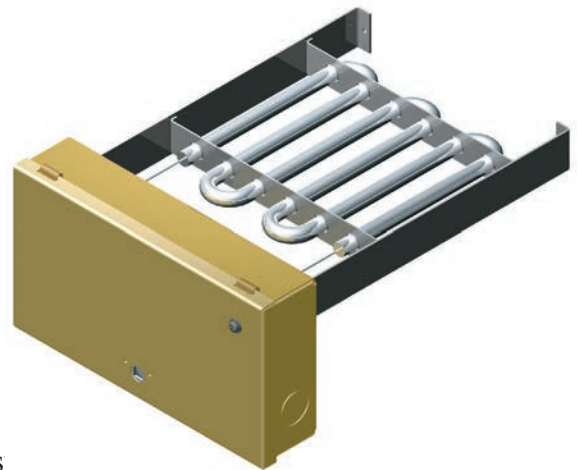
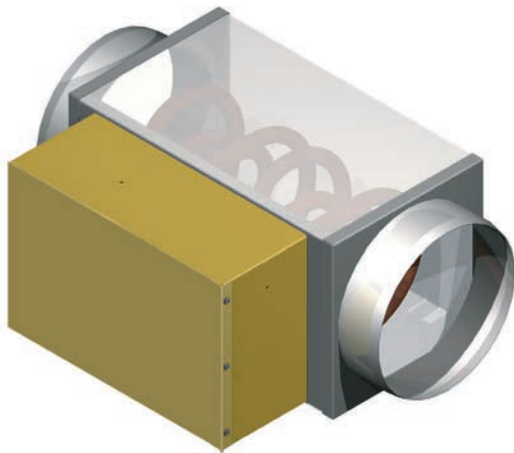


# Make-Up Air

Indoor Air Quality (IAQ)

Tempering Outside Air, Comfort Requirements

Advanced WarmFlo® Comfort Module Technology



**Application** - fresh air code requirements and/or appliances which could create unhealthy negative press within the building.

- Building usage, people loading
- Air environment within building
- Fireplace
- Larger kitchen vent hoods
- Appliances, without sealed combustion
- Single vent gas furnace or water heater
- Forced exhaust systems - restrooms, bathrooms, kitchens, etc.

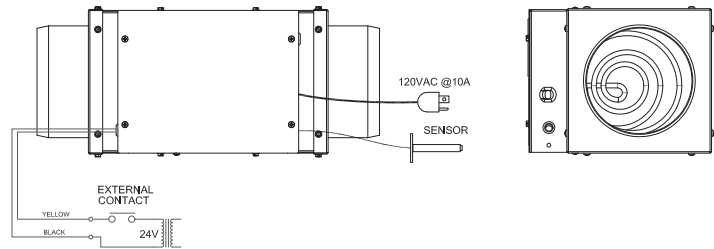
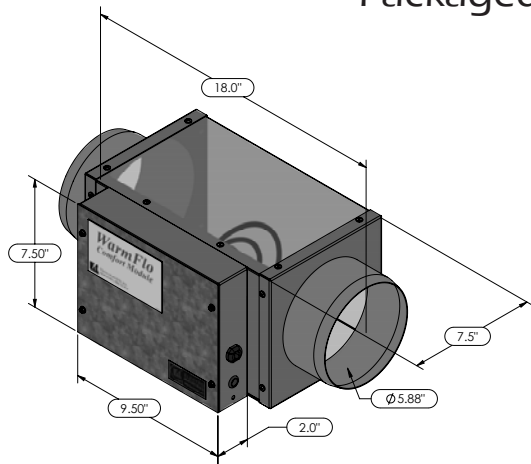
## *WHY ELECTRIC DUCT HEATER?*

- Lower installation cost
- Easy installation
- Simple on/off control

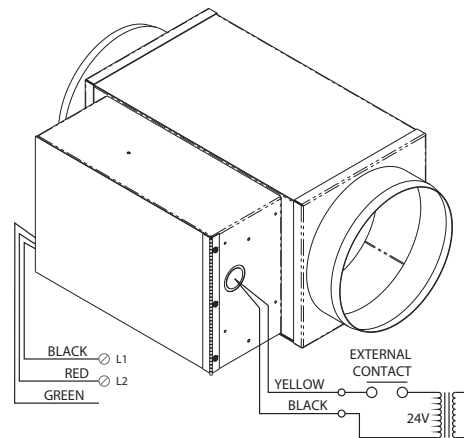
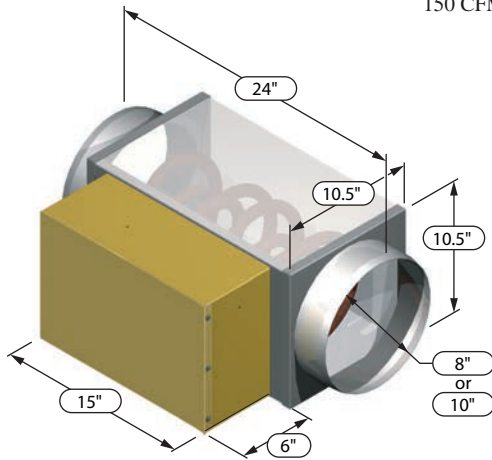
## *WHY WARMFLO COMFORT MODULE?*

- More than a duct heater
- Outlet temperature sensing
- Fully modulates elements
- Use only the energy required
- Operating Efficiency

## Packaged Units - Non-Blower



EM-WX01-120-1-06 - 1,000-watt, 120V plug-in  
150 CFM rating, 6" round duct section

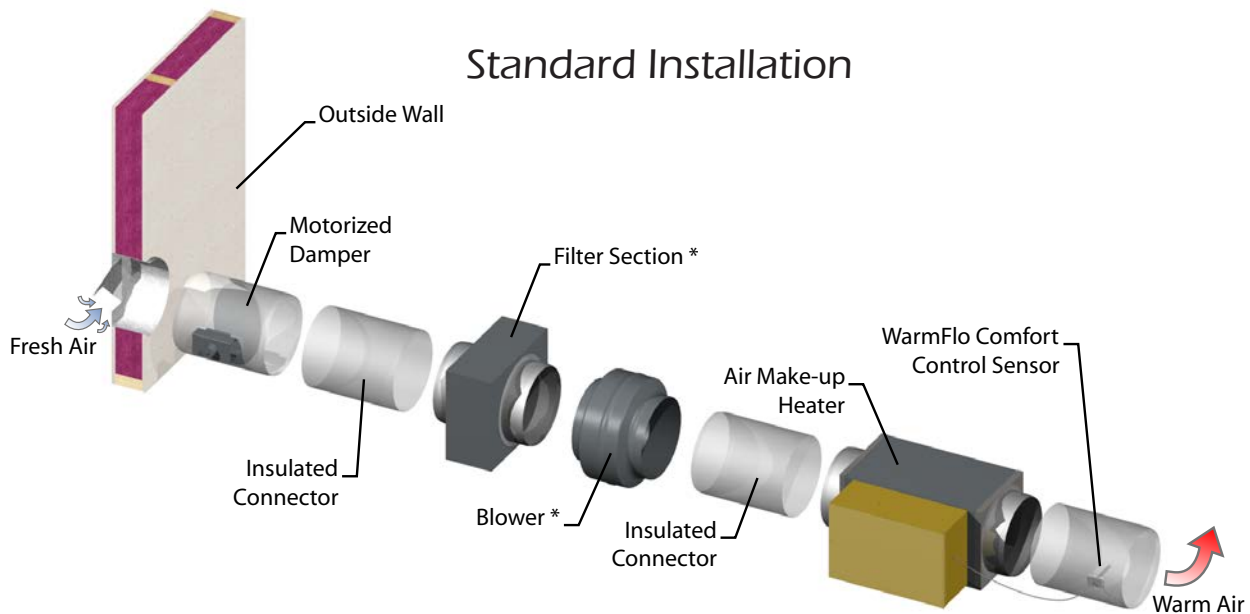


EM-WX02-240-1-08 - 2,500-watt, 240V  
250 CFM rating, 8" round duct section

EM-WX05-240-1-08 - 5,000-watt, 240V  
350 CFM rating, 8" round duct section

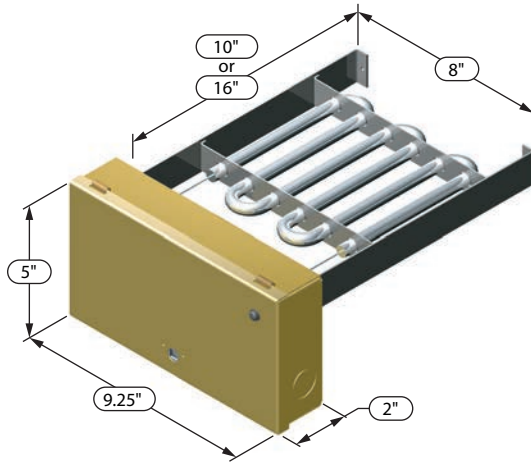
EM-WX10-240-1-10 - 10,000-watt, 240V  
700 CFM rating, 10" round duct section

## Standard Installation

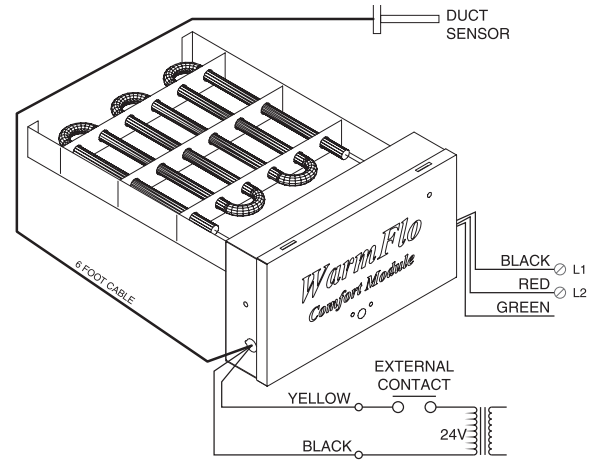


\* Can be in same enclosure.

## Insert Element Rack

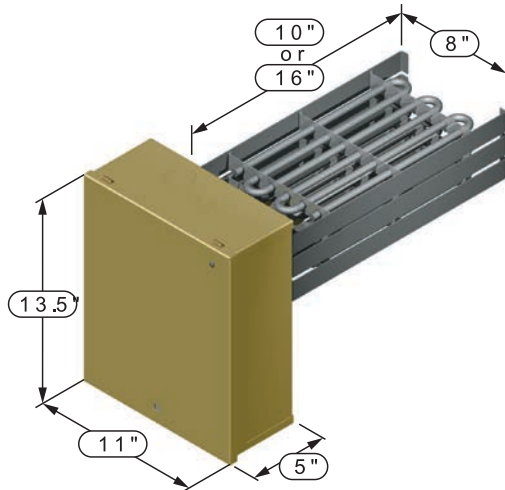


EM-WC0515H - 4,800-watt, 240V  
400 CFM rating, 8" x 10"d element rack



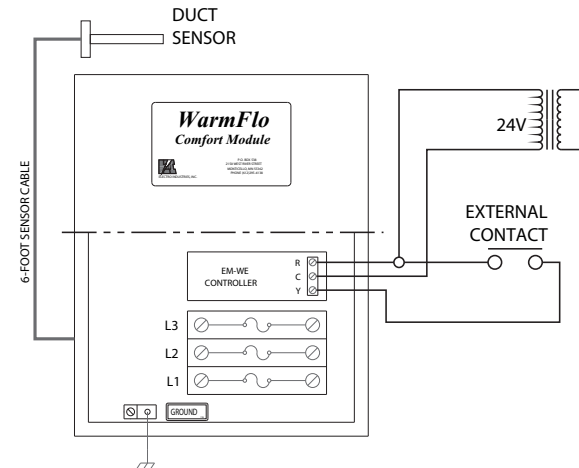
EM-WC0515L - 4,800-watt, 240V  
400 CFM rating, 8" x 16"d element rack

EM-WC1025L - 9,600-watt, 240V  
800 CFM rating, 8" x 16"d element rack



EM-WM1535L - 15,000-watt, 240V  
1,100 CFM rating, 8" x 16"d element rack

EM-WM2035L - 20,000-watt, 240V  
1,300 CFM rating, 8" x 16"d element rack



EM-WM1134H - 10,800-watt, 208V 3-phase  
800 CFM rating, 8" x 10"d element rack

EM-WM1536L - 15,000-watt, 208V 3-phase  
1,100 CFM rating, 8" x 16"d element rack

### Electrical Source Power:

- See nameplate for voltage rating, amp draw, and maximum watts
- 120V single-phase, 240V single-phase, or 208V three-phase - depending upon model and size
- 120V model has 8' plug-in cord
- All other models, terminal block connections (copper wire only)
- Units above 10 kW include internal fusing

### 24-volt control:

- External 24-volt source is required for operation
- Turn-on (on/off function) accomplished with the presence of 24-volt source
- System or external contact closure provides 24 volts to this unit
  - Pressure differential switch
  - Inlet damper end switch
  - Relay connected to blower motor, contact closure
  - Exhaust motor current switch contact
  - Thermostat, blower function "G" (parallel connection)
  - Temperature sensing thermostat (must also operate blower)

Packaged Units - Self-Contained, Blower  
Contact Factory - Request Document EL007

## CFM Chart

Temperature Rise Needed		80	70	60	50	40	30
<u>Model Number</u>	<u>Watts*</u>	<u>CFM</u>	<u>CFM</u>	<u>CFM</u>	<u>CFM</u>	<u>CFM</u>	<u>CFM</u>
EM-WX01-120-1-06	1000	40	45	53	63	79	105
EM-WX02-240-1-08	2500	99	113	132	158	198	263
EM-WX05-240-1-08	5000	198	226	263	316	395	527
EM-WX10-240-1-10	10000	395	452	527	632	790	1054
EM-WC0515H	4800	190	217	253	303	379	506
EM-WC0515L	4800	190	217	253	303	379	506
EM-WC1025L	9600	379	434	506	607	759	1012
EM-WM1535L	14400	569	650	759	910	1138	1517
EM-WM2035L	19200	759	867	1012	1214	1517	2023
EM-WM1134H	10800	427	488	569	683	854	1138
EM-WM1536L	15000	593	677	790	948	1185	1581

\*At maximum capacity, duct sensor reduces watts as required.

### Efficient - 100%, Plus Duct Sensor Modulates Elements

## HOW TO ORDER

Select model number AND state temperature selection code.

### Warm Air Temperature Selection

The unit includes an 8-position dial switch to set the desired outlet sensor temperature. In order to give this 8-position dial switch proper definition and accuracy, when ordering select the temperature **range** which meets your application.

	<u>Min.</u>		<u>Max.</u>
“Code E”	60	to	95
“Code H”	88	to	102
“Code C”	20	to	55
“Code B”	96	to	124

### *WHAT MAKES THIS DUCT HEATER DIFFERENT?*

- WarmFlo controller and duct sensor - state of the art, all digital, control module which continuously monitors the outlet. All elements are controlled or modulated to maintain a delivery temperature based upon the user set point. There is no temperature overshoot or wasted energy common with basic on/off duct heaters.
- 20 years duct heater manufacturing experience
- 5 years WarmFlo field experience
- Compact/flexible - any retrofit or new design requirement for tempered air. The control box is simply screwed on the side of any forced air trunkline/duct.

Specifications subject to change without notice, all rights reserved.



**ELECTRO  
INDUSTRIES**

Monticello, Minnesota  
800.922.4138  
www.electromn.com