

HeatChoice® II

Electric Dual Heat Furnace Conversion



★ Made in USA

ENHANCED FEATURES:

- QUIET OPERATION
- ADVANCED SAFETY TIMERS
- ADDITIONAL INDICATOR LIGHTS

The HeatChoice II model series continues the concept and features of the original patented and zero-clearance plenum heater. Our experience and history, combined with the latest technological features, make installations applicable to all furnace models. With a flip of a switch you can select your energy heating choice.



SPECIFICATIONS

Model Number		kW @ 240VAC	Capacity Btu/h	Amps	Circuit Breakers
Upflow	Downflow				
EH-U10-*	EH-D10-*	10	34,000	42	60
EH-U15-*	EH-D15-*	15	51,000	63	60, 30
EH-U20-*	EH-D20-*	20	68,000	83	60, 60
EH-U25-8	-	25	85,000	104	60, 60, 30

*Model Number last digit: 5 = 15"W 8 = 18"W

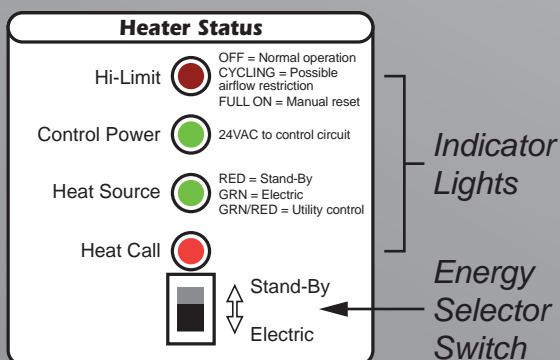
ELECTRICAL

- Spin finned rod elements (20-year warranty)
- Circuit breakers
- Electric utility control (heat and cool)
- Variable speed blower connection
- Single thermostat control
- A/C control and no thermostat feedback

STANDARD FEATURES

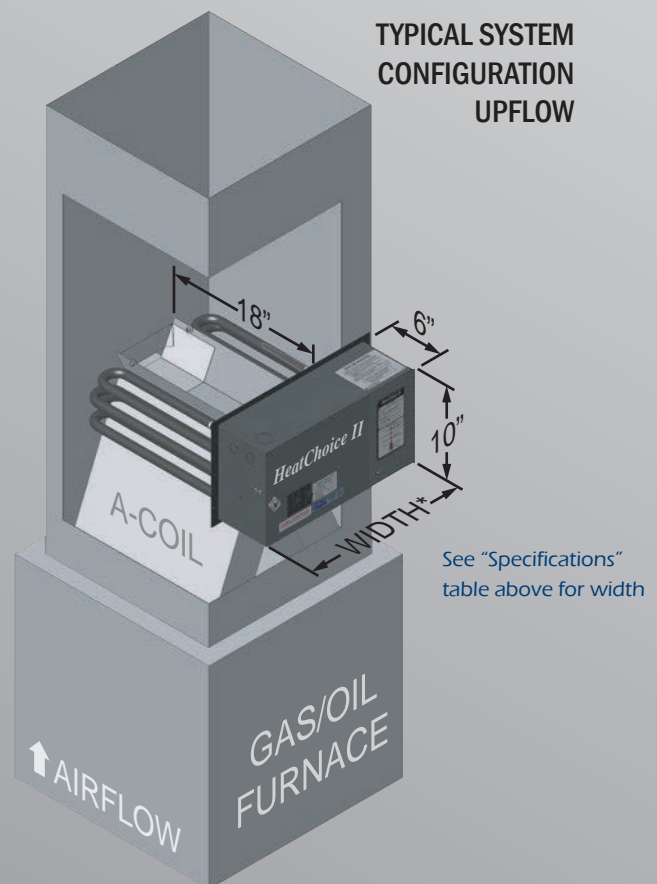
- Quiet operation with DC relays
- Energy control selector
- Automatic switch to backup during control
- Standard HVAC thermostat wiring connections
- Indicator lights
- Stat Override Timer (SOT) 90/180 minutes
- Made in USA
- Listed and certified to current UL standards

SYSTEM MONITOR



HEATCHOICE AIR CONDITIONING ONLY

HeatChoice has been designed to work in installations that include air conditioning. However, if your system includes an air source heat pump you will need to install one of our WarmFlo® Electro-Mate® heat pump ready models. Installing one of our heat pump ready models enables maximum performance from your heat pump. Contact your local distributor for information on models that include our heat pump intelligent WarmFlo systems.



Distributed by:

AVAILABLE ONLY THROUGH LOCAL DISTRIBUTION

Two-year parts warranty from date of original installation on any component failure.

Specifications subject to change without notice, all rights reserved.