

# Specification Sheet - Electric Make-Up Air/Boost Heater

## STANDARD EQUIPMENT

- 240V, single phase - hard-wired, external fusing required
- Hi-limits, automatic reset - 118° F/150° F/180° fused link
- 20-year element warranty
- 2-year parts warranty
- Temperature sensing with full modulation
- Maintains specific temperature set point
- 8" or 10" round duct section
- Quiet DC power relays
- Thermostat end switch connection point
- Unique design allows for simplified installation
- Cooling mode element disable option
- Requires 24V external control power supply
- Made in the USA

## TEMPERATURE RISE CHART\*

Temperature Rise Needed		80° F	70° F	60° F	50° F	40° F	30° F
Model	Watts	CFM	CFM	CFM	CFM	CFM	CFM
EM-WX02-240-1-08	2500	99	113	132	158	198	263
EM-WX05-240-1-08	5000	197	225	262	319	393	525
EM-WX10-240-1-10	10000	393	450	525	630	787	1050

\*Typically the maximum temperature rise for this product is 40° F for room air inlet. If used for make-up air, larger temperature rises are permissible, see table above.

## ELECTRIC SUPPLY

Model	kW	Btu/h	Amps	Fuse	Phase	Voltage	Source CB	Shipping Weight	Minimum CFM	Duct Collar
EM-WX02-240-1-08	2.5	8,500	10.41	N/A	1-50/60	240	15	31	90	8"
EM-WX05-240-1-08	5	17,000	20.83	N/A	1-50/60	240	30	32	190	8"
EM-WX10-240-1-10	10	34,000	41.66	N/A	1-50/60	240	60	36	390	10"

## CHIP CODE OPTIONS†

Switch Position	B	C	D	E	H
0	96°	20°	40°	60°	88°
1	100°	25°	52°	65°	90°
2	104°	30°	64°	70°	92°
3	108°	35°	76°	75°	94°
4	112°	40°	88°	80°	96°
5	116°	45°	100°	85°	98°
6	120°	50°	112°	90°	100°
7	124°	55°	124°	95°	102°

†Comfort level temperature setting - choose correct chip code for application. Note: Unless otherwise specified, product will be shipped with a default "D" chip.

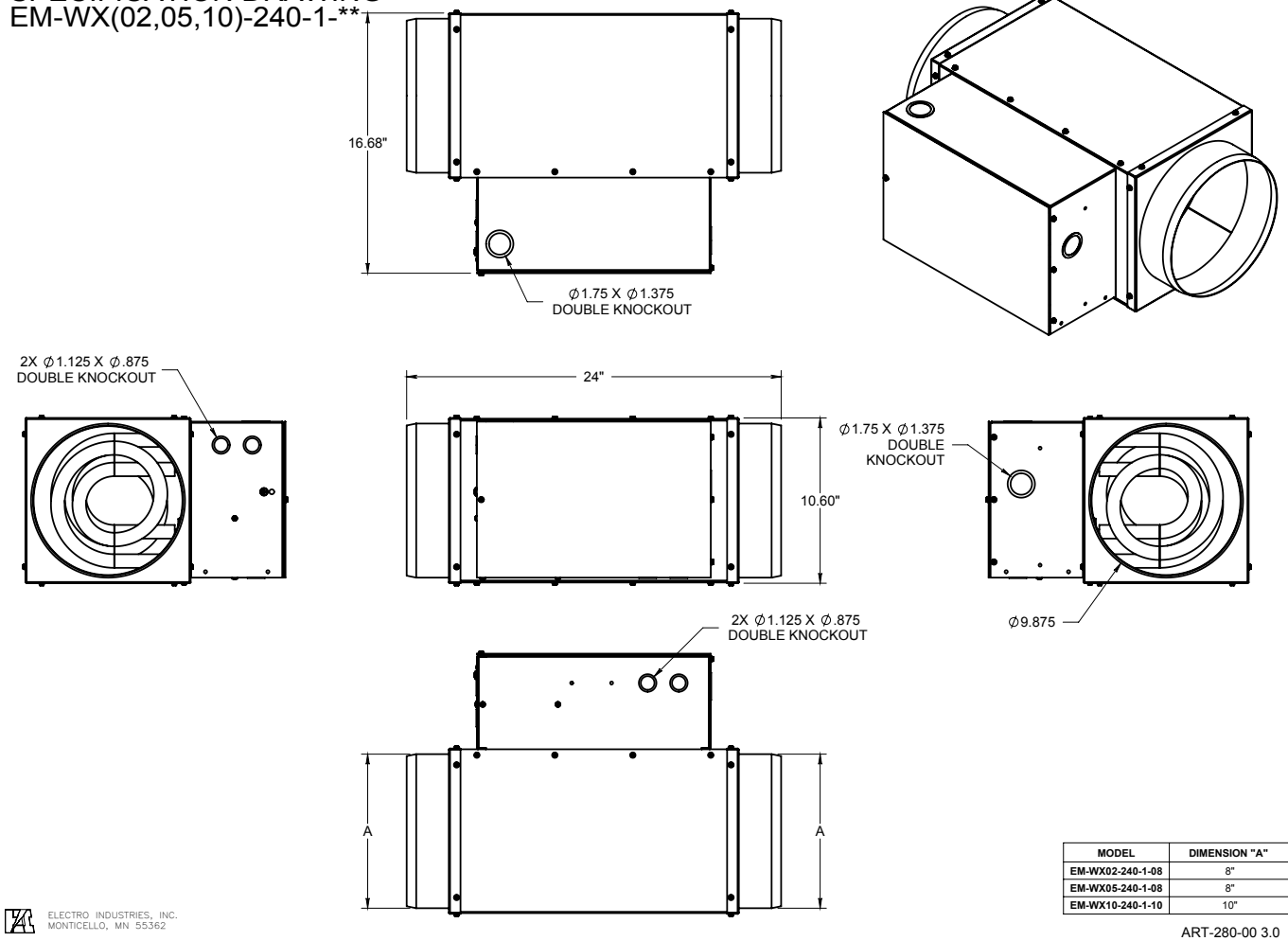
Specifications subject to change without notice,  
all rights reserved.



**ELECTRO  
INDUSTRIES**

Monticello, Minnesota  
800.922.4138  
www.electromn.com

**SPECIFICATION DRAWING**  
**EM-WX(02,05,10)-240-1-\*\*\***



ELECTRO INDUSTRIES, INC.  
 MONTICELLO, MN 55362

## Installation Specifications

When installing this duct heater, NEC 424, Part IV, Duct Heaters, applies.

When installed in an "inline" duct or round pipe adapter for a general distribution boost heater or make-up air application, observe the following guidelines:

1. This product must be installed in a metal duct, size of element rack.
2. There shall be no insulation on the inside of this sheet metal duct section.
3. Any flex-pipe or other insulated pipe must be at least 24" from the electric element.
4. Mounting - there must be at least 2" air clearance around all sides of this sheet metal duct section.
5. If there is a need to insulate this duct section for moisture condensation or in an unheated compartment, it is permissible to wrap insulation around the exterior of this metal duct section.
6. The control box must be positioned so it will not receive dripping water or collection of moisture.