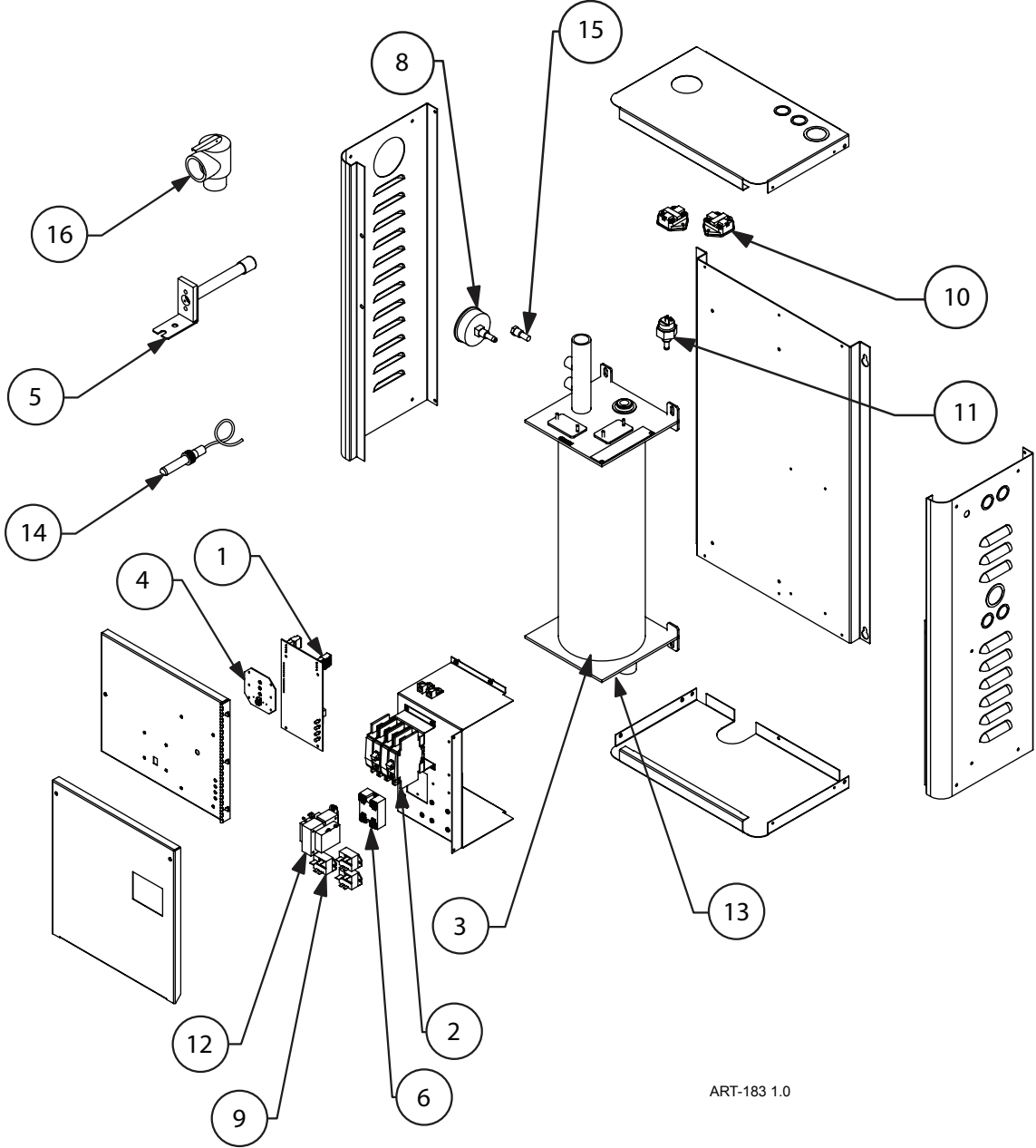


# TS Midsize Electro-Boiler™

## EB-M\*-\*\* Series



ART-183 1.0

(SEE NEXT PAGE FOR PARTS LIST)

# TS Midsize Electro-Boiler™

## EB-M\*-\* \* Series

Replacement Part #	Description
--------------------	-------------

<b>EB-MS-10</b>	
2	5652 Square D 60-Amp Circuit Breaker
3	EBMVS10 10 kW Vessel Assembly

<b>EB-MS-15</b>	
2	5650 Square D 30-Amp Circuit Breaker
2	5652 Square D 60-Amp Circuit Breaker
3	EBMVS15 15 kW Vessel Assembly

<b>EB-MS-20</b>	
2	5652 Square D 60-Amp Circuit Breaker
3	EBMVS20 20 kW Vessel Assembly

<b>EB-MA-10</b>	
2	5652 Square D 60-Amp Circuit Breaker
3	EBMVS10 10 kW Vessel Assembly
4	EBTSW5627 Standby Switch Board
6	4038KIT 50-Amp DC Triac Kit

<b>EB-MA-15</b>	
2	5650 Square D 30-Amp Circuit Breaker
2	5652 Square D 60-Amp Circuit Breaker
3	EBMVS15 15 kW Vessel Assembly
4	EBTSW5627 Standby Switch Board
6	4038KIT 50-Amp DC Triac Kit

<b>EB-MA-20</b>	
2	5652 Square D 60-Amp Circuit Breaker
3	EBMVS20 20 kW Vessel Assembly
4	EBTSW5627 Standby Switch Board
6	4038KIT 50-Amp DC Triac Kit

<b>EB-MO-10/EB-MX-10</b>	
2	5652 Square D 60-Amp Circuit Breaker
3	EBMVS10 10 kW Vessel Assembly
4	EBTSW5627 Standby Switch Board (MO only)
5	WFS25F Outdoor Sensor
6	4038KIT 50-Amp DC Triac Kit

Replacement Part #	Description
--------------------	-------------

<b>EB-MO-15/EB-MX-15</b>	
2	5650 Square D 30-Amp Circuit Breaker
2	5652 Square D 60-Amp Circuit Breaker
3	EBMVS15 15 kW Vessel Assembly
4	EBTSW5627 Standby Switch Board (MO only)
5	WFS25F Outdoor Sensor
6	4038KIT 50-Amp DC Triac Kit

<b>EB-MO-20/EB-MX-20</b>	
2	5652 Square D 60-Amp Circuit Breaker
3	EBMVS20 20 kW Vessel Assembly
4	EBTSW5627 Standby Switch Board (MO only)
5	WFS25F Outdoor Sensor
6	4038KIT 50-Amp DC Triac Kit

<b>Common Parts for the EB-M*-* * Series</b>	
1	EB5623 Control Board
4	USW9814 Standby Switch, Panel Mount (EB-MX/EB-MS)
8	5456A Pressure / Temperature Gauge
9	5128C 30-Amp DC Relay
10	5535 205° Manual Reset Limit
11	5537G 190° Auto Reset Limit
12	5541 40 VA Transformer with Pigtailed
13	EB5526 5 kW Element with Gasket
14	WFSB Supply Sensor
15	[EBTB5533 Sensor Well
16	5453 30 psi Relief Valve
17	XNPL7780 1" x 2½" Pipe Nipple ( <i>Not Shown</i> )
18	XBSH7180 1" x ¾" Pipe Bushing ( <i>Not Shown</i> )
19	XTEE7060 1" Pipe Tee ( <i>Not Shown</i> )
20	XEL7850 1" 90° Pipe Elbow ( <i>Not Shown</i> )
21	UFUSE0443 2-Amp Fast Blow Fuse ( <i>Not Shown</i> )