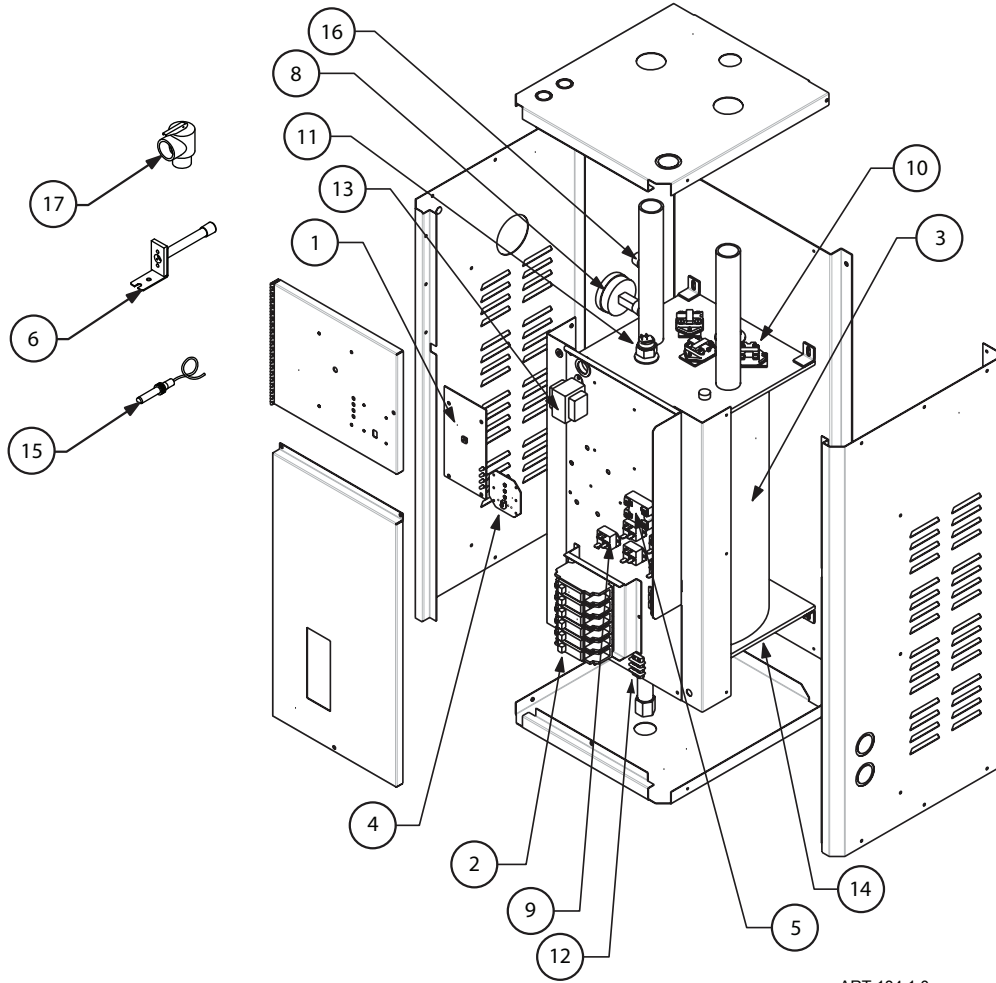


# TS Standard Electro-Boiler™

## EB-S-\*\* and EB-W\*-\*\* Series



ART-184 1.0

Replacement Part #	Description	
<b>EB-S-13</b>		
2	5639	GE 30-Amp Circuit Breaker
2	5640	GE 60-Amp Circuit Breaker
2	5650	Square D 30-Amp Circuit Breaker
2	5652	Square D 60-Amp Circuit Breaker
3	EBVS13	13 kW Vessel Assembly
7	EBCBW5420	Wiring Harness (Not Shown)

<b>EB-S-18</b>		
2	5640	GE 60-Amp Circuit Breaker
2	5652	Square D 60-Amp Circuit Breaker
3	EBVS18	18 kW Vessel Assembly
7	EBCBW5419	Wiring Harness (Not Shown)

Replacement Part #	Description	
<b>EB-S-23</b>		
2	5639	GE 30-Amp Circuit Breaker
2	5640	GE 60-Amp Circuit Breaker
2	5650	Square D 30-Amp Circuit Breaker
2	5652	Square D 60-Amp Circuit Breaker
3	EBVS23	23 kW Vessel Assembly
7	EBCBW5418	Wiring Harness (Not Shown)

<b>EB-S-27</b>		
2	5640	GE 60-Amp Circuit Breaker
2	5652	Square D 60-Amp Circuit Breaker
3	EBVS27	27 kW Vessel Assembly
7	EBCBW5417	Wiring Harness (Not Shown)

(PARTS LIST CONTINUED ON NEXT PAGE)

# TS Standard Electro-Boiler™

## EB-S-\*\* and EB-W\*-\*\* Series

Replacement Part #		Description
<b>EB-WA-13</b>		
2	5639	GE 30-Amp Circuit Breaker
2	5640	GE 60-Amp Circuit Breaker
2	5650	Square D 30-Amp Circuit Breaker
2	5652	Square D 60-Amp Circuit Breaker
3	EBVS13	13 kW Vessel Assembly
4	EBTSW5627	Standby Switch Board
5	4038KIT	50-Amp DC Triac Kit

<b>EB-WA-18</b>		
2	5640	GE 60-Amp Circuit Breaker
2	5652	Square D 60-Amp Circuit Breaker
3	EBVS18	18 kW Vessel Assembly
4	EBTSW5627	Standby Switch Board
5	4038KIT	50-Amp DC Triac Kit

<b>EB-WA-23</b>		
2	5639	GE 30-Amp Circuit Breaker
2	5640	GE 60-Amp Circuit Breaker
2	5650	Square D 30-Amp Circuit Breaker
2	5652	Square D 60-Amp Circuit Breaker
3	EBVS23	23 kW Vessel Assembly
4	EBTSW5627	Standby Switch Board
5	4038KIT	50-Amp DC Triac Kit

<b>EB-WA-27</b>		
2	5640	GE 60-Amp Circuit Breaker
2	5652	Square D 60-Amp Circuit Breaker
3	EBVS27	27 kW Vessel Assembly
4	EBTSW5627	Standby Switch Board
5	4038KIT	50-Amp DC Triac Kit

<b>EB-WO-13/EB-WX-13</b>		
2	5639	GE 30-Amp Circuit Breaker
2	5640	GE 60-Amp Circuit Breaker
2	5650	Square D 30-Amp Circuit Breaker
2	5652	Square D 60-Amp Circuit Breaker
3	EBVS13	13 kW Vessel Assembly
4	EBTSW5627	Standby Switch Board
5	4038KIT	50-Amp DC Triac Kit
6	WFS25F	Outdoor Sensor

Replacement Part #		Description
<b>EB-WO-18/EB-WX-18</b>		
2	5640	GE 60-Amp Circuit Breaker
2	5652	Square D 60-Amp Circuit Breaker
3	EBVS18	18 kW Vessel Assembly
4	EBTSW5627	Standby Switch Board (WO only)
5	4038KIT	50-Amp DC Triac Kit
6	WFS25F	Outdoor Sensor

<b>EB-WO-23/EB-WX-23</b>		
2	5639	GE 30-Amp Circuit Breaker
2	5640	GE 60-Amp Circuit Breaker
2	5650	Square D 30-Amp Circuit Breaker
2	5652	Square D 60-Amp Circuit Breaker
3	EBVS23	23 kW Vessel Assembly
4	EBTSW5627	Standby Switch Board (WO only)
5	4038KIT	50-Amp DC Triac Kit
6	WFS25F	Outdoor Sensor

<b>EB-WO-27/EB-WX-27</b>		
2	5640	GE 60-Amp Circuit Breaker
2	5652	Square D 60-Amp Circuit Breaker
3	EBVS27	27 kW Vessel Assembly
4	EBTSW5627	Standby Switch Board (WO only)
5	4038KIT	50-Amp DC Triac Kit
6	WFS25F	Outdoor Sensor

<b>Common Parts for the EB-S-** and EB-W*-** Series</b>		
1	EB5623	Control Board
4	USW9814	Standby Switch, Panel Mount (EB-WX/EB-S)
8	5456A	Pressure / Temperature Gauge
9	5128C	30-Amp DC Relay
10	5535	205° Manual Reset Limit
11	5537G	190° Auto Reset Limit
12	2232	Pump Terminal Block
13	5541	40VA Transformer with Pigtailed
14	EB5520	4.5 kW Element with Gasket
15	WFSB	Supply Sensor
16	[EBTB5533	Sensor Well
17	5453	30 psi Relief Valve
18	XEL7800	¼" Pipe Elbow ( <i>Not Shown</i> )
19	XNPL7775	¾" x 12" Pipe Nipple ( <i>Not Shown</i> )
20	XCPL7075	¾" Pipe Coupling ( <i>Not Shown</i> )
21	UFUSE0443	2-Amp Fast Blow Fuse ( <i>Not Shown</i> )