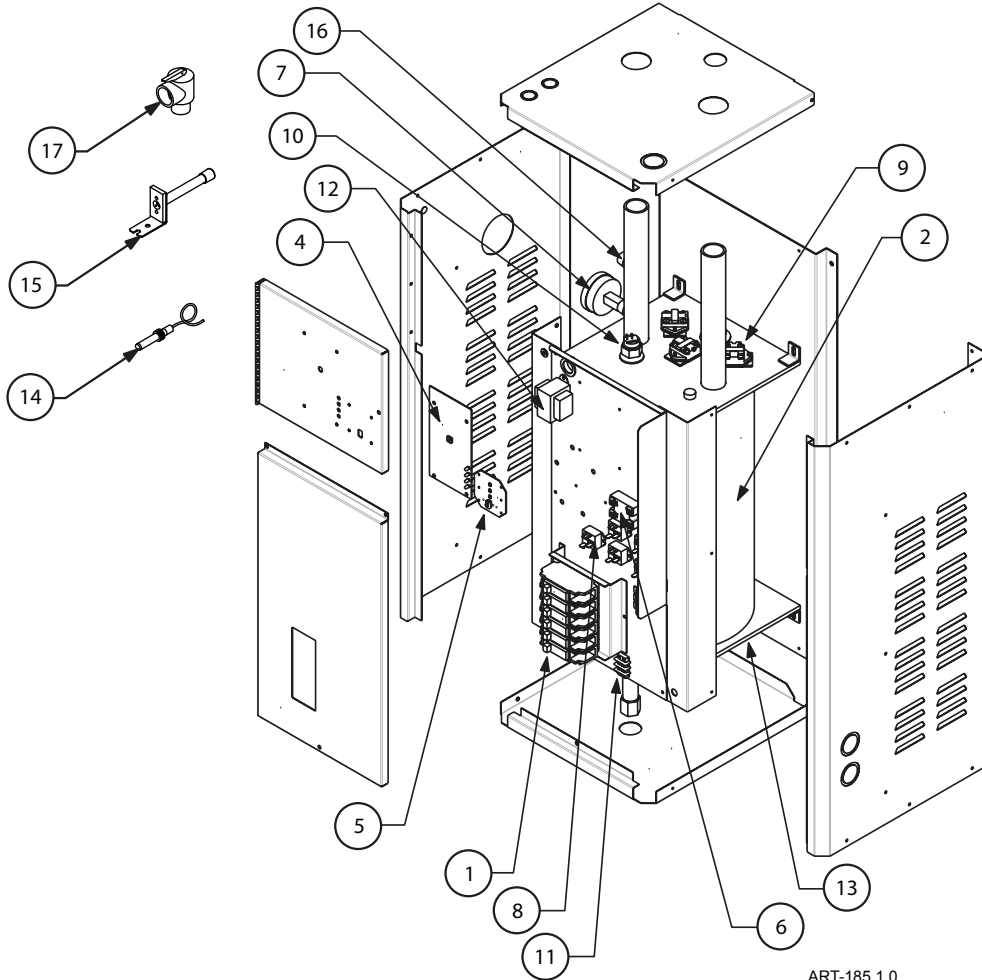


# TS Standard 3-Phase Electro-Boiler™

## EB-W\*-\*\*-2 Series



ART-185 1.0

Replacement Part #	Description	
<b>EB-WO-13-2/EB-WX-13-2</b>		
1	5670	GE 50-Amp 3-Phase Circuit Breaker
1	5655	Square D 50-Amp 3-Phase Circuit Breaker
2	EBVS13-2	13 kW 3-Phase Vessel Assembly
<b>EB-WO-27-2/EB-WX-27-2</b>		
1	5672	GE 100-Amp 3-Phase Circuit Breaker
1	5658	Square D 100-Amp 3-Phase Circuit Breaker
2	EBVS27-2	27 kW 3-Phase Vessel Assembly

Replacement Part #	Description	
<b>Common Parts for the EB-WO-**-2 and EB-WX-**-2 3-Phase Series</b>		
4	EB5623	Control Board
5	EBTSW5627	Standby Switch Board (WO only)
5	USW9814	Standby Switch, Panel Mount (EB-WX)
6	4038KIT	50-Amp DC Triac Kit
7	5456A	Pressure / Temperature Gauge
8	5128C	30-Amp DC Relay
9	5535	205° Manual Reset Limit
10	5537G	190° Auto Reset Limit
11	2232	Pump Terminal Block
12	5541	40VA Transformer with Pigtails
13	EB5521	4.5 kW Element with Gasket (3 Phase)
14	WFSB	Supply Sensor
15	WFS25F	Outdoor Sensor
16	[EBTB5533	Sensor Well
17	5453	30 psi Relief Valve
18	XEL7800	3/4" Pipe Elbow (Not Shown)
19	XNPL7775	3/4" x 12" Pipe Nipple (Not Shown)
20	XCPL7075	3/4" Pipe Coupling (Not Shown)
21	UFUSE0443	2-Amp Fast Blow Fuse (Not Shown)