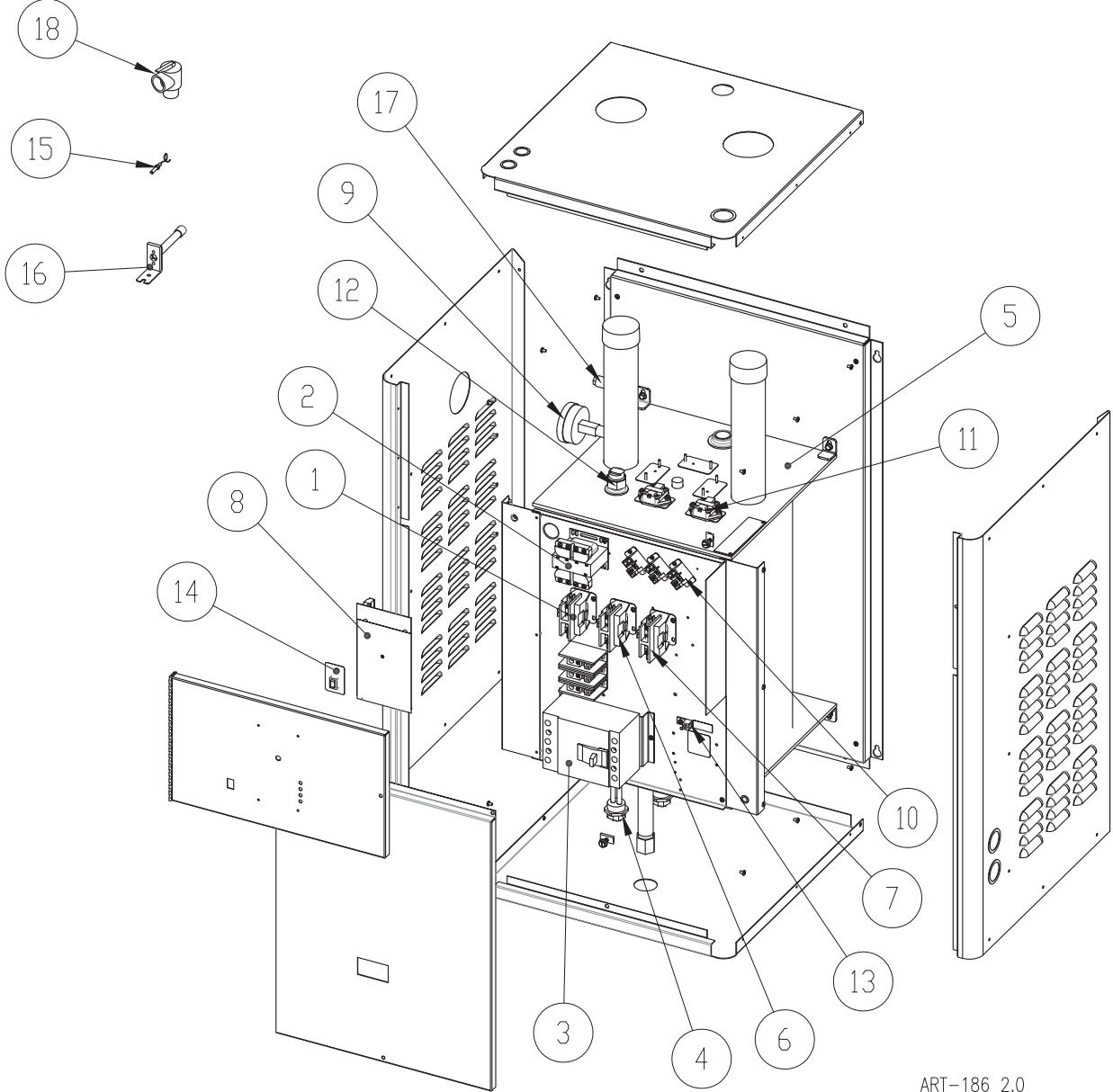


# TS Commercial Electro-Boiler™ EB-C\*-\*\* and EB-C\*-\*\*-\*\* Series



ART-186 2.0

(SEE NEXT PAGE FOR PARTS LIST)

# TS Commercial Electro-Boiler™

## EB-C\*-\* and EB-C\*-\*-\*\* Series

Replacement Part #		Description
<b>EB-CA-18-48/EB-CO-18-48/EB-CX-18-48</b>		
1	5528	30-Amp Single Pole Contactor Relay
2	5542	50 VA Transformer
3	5668-30	Square D 30-Amp 3 Phase Circuit Breaker
4	EB5525	6 kW Element with Gasket
5	EBVS18-48	18 kW Vessel Assembly

Replacement Part #		Description
<b>EB-CA-36-48/EB-CO-36-48/EB-CX-36-48</b>		
1	5528	30-Amp Single Pole Contactor Relay
2	5542	50 VA Transformer
3	5662	Square D 60-Amp 3 Phase Circuit Breaker
4	EB5525	6 kW Element with Gasket
5	EBVS36-48	36 kW Vessel Assembly
6	5126	30-Amp Two Pole Contactor Relay

Replacement Part #		Description
<b>EB-CA-54-48/EB-CO-54-48/EB-CX-54-48</b>		
1	5528	30-Amp Single Pole Contactor Relay
2	5542	50 VA Transformer
3	5663	Square D 80-Amp 3 Phase Circuit Breaker
4	EB5525	6 kW Element with Gasket
5	EBVS54-48	54 kW Vessel Assembly
6	5126	30-Amp Two Pole Contactor Relay
7	5527	30-Amp Three Pole Contactor Relay

Replacement Part #		Description
<b>EB-CA-27-20/EB-CO-27-20/EB-CX-27-20</b>		
1	5528	30-Amp Single Pole Contactor Relay
2	5541	40VA Transformer with Pigtailed
3	5658	Square D 100-Amp 3 Phase Circuit Breaker
4	EB5521	4.5 kW Element with Gasket (3-Phase)
5	EBVS27-20	27 kW Vessel Assembly
6	5126	30-Amp Two Pole Contactor Relay

Replacement Part #		Description
<b>EB-CA-40-20/EB-CO-40-20/EB-CX-40-20</b>		
1	5528	30-Amp Single Pole Contactor Relay
2	5541	40 VA Transformer with Pigtailed
3	5660	Square D 150-Amp 3 Phase Circuit Breaker
4	EB5521	4.5 kW Element with Gasket (3-Phase)
5	EBVS40-20	40 kW Vessel Assembly
6	5126	30-Amp Two Pole Contactor Relay
7	5527	30-Amp Three Pole Contactor Relay

Replacement Part #		Description
<b>EB-CA-27-24/EB-CO-27-24/EB-CX-27-24</b>		
1	5528	30-Amp Single Pole Contactor Relay
2	5541	40 VA Transformer with Pigtailed
3	5657	Square D 80-Amp 3 Phase Circuit Breaker
4	EB5520	4.5 kW Element with Gasket
5	EBVS27-24	27 kW Vessel Assembly
6	5126	30-Amp Two Pole Contactor Relay

Replacement Part #		Description
<b>EB-CA-40-24/EB-CO-40-24/EB-CX-40-24</b>		
1	5528	30-Amp Single Pole Contactor Relay
2	5541	40VA Transformer with Pigtailed
3	5659	Square D 125-Amp 3 Phase Circuit Breaker
4	EB5520	4.5 kW Element with Gasket
5	EBVS40-24	40 kW Vessel Assembly
6	5126	30-Amp Two Pole Contactor Relay
7	5527	30-Amp Three Pole Contactor Relay

Replacement Part #		Description
<b>EB-CA-31/EB-CO-31/EB-CX-31</b>		
1	5528	30-Amp Single Pole Contactor Relay
2	5541	40VA Transformer with Pigtailed
3	5653	Square D 80-Amp Circuit Breaker
3	5643S	Square D 100-Amp Circuit Breaker
4	EB5520	4.5 kW Element with Gasket
5	EBVS31	31 kW Vessel Assembly
6	5126	30-Amp Two Pole Contactor Relay

Replacement Part #		Description
<b>EB-CA-36/EB-CO-36/EB-CX-36</b>		
2	5541	40VA Transformer with Pigtailed
3	5643S	Square D 100-Amp Circuit Breaker
4	EB5520	4.5 kW Element with Gasket
5	EBVS36	36 kW Vessel Assembly
6	5126	30-Amp Two Pole Contactor Relay

Replacement Part #		Description
<b>EB-CA-40/EB-CO-40/EB-CX-40</b>		
2	5541	40VA Transformer with Pigtailed
3	5646	Square D 125-Amp Circuit Breaker
4	EB5526	5 kW Element with Gasket
5	EBVS40	40 kW Vessel Assembly
6	5126	30-Amp Two Pole Contactor Relay

Replacement Part #		Description
<b>EB-CA-44/EB-CO-44/EB-CX-44</b>		
2	5541	40VA Transformer with Pigtailed
3	5646	Square D 125-Amp Circuit Breaker
4	EB5522	5.5 kW Element with Gasket
5	EBVS44	44 kW Vessel Assembly
6	5126	30-Amp Two Pole Contactor Relay

Common Parts for the EB-C*-* and EB-C*-*-** Series		
8	EB5623	Control Board
9	5456	Pressure / Temperature Gauge
10	5128C	30-Amp DC Relay
11	5535	205° Manual Reset Limit
12	5537G	190° Auto Reset Limit
13	VLUG5526	Main Terminal Block
14	USW9814	Standby Switch, Panel Mount (EB-CX)
15	WFSB	Supply Sensor
16	WFS25F	Outdoor Sensor
17	[EBTB5533	Sensor Well
18	5453	30 psi Relief Valve
19	XEL7800	¾" Pipe Elbow (Not Shown)
20	XNPL7775	¾" x 12" Pipe Nipple (Not Shown)
21	XCPL7075	¾" Pipe Coupling (Not Shown)
22	UFUSE0443	2-Amp Fast Blow Fuse (Not Shown)