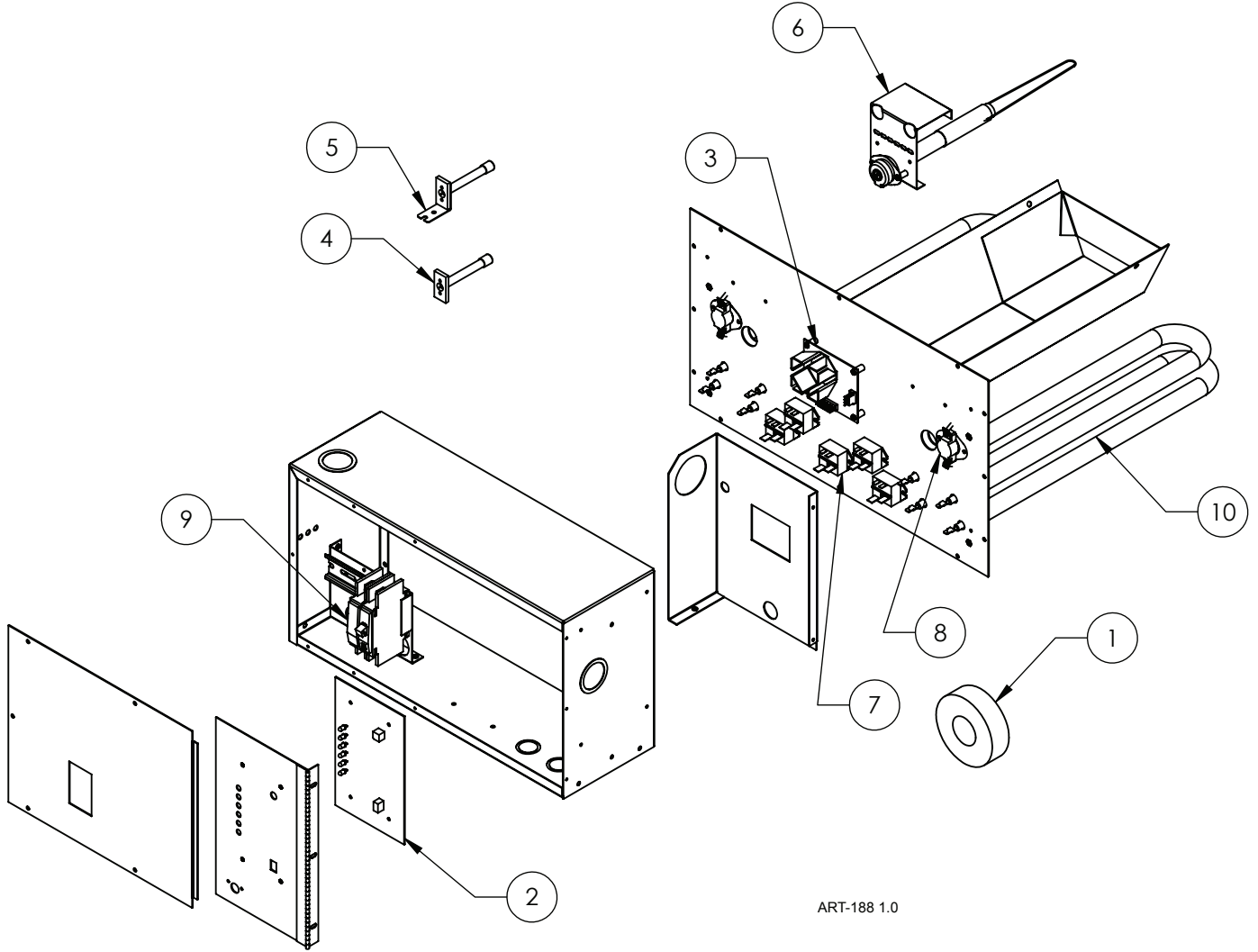


# Electro EZ-Mate™ EM-LV\*\*4\*\* Series



ART-188 1.0

Replacement Part #		Description
<b>EM-LV104Z5 / EM-LV104Z8</b>		
<b>EM-LV104L5 / EM-LV104L8</b>		
1	3629	200-Amp 1:1000 Current Transformer
<b>Common Parts for the EM-LV**** Series</b>		
2	WF5665EZ	WarmFlo + Control Board
3	WFPDC5632	Relay Driver Board
4	WFS5F	Duct Sensor
5	WFS25F	Outdoor Sensor
6	EM5729	High Limit Probe
7	5128C	30-Amp DC Relay
8	5633	118° Auto High Limit
9	5640	GE 60-Amp Circuit Breaker
9	5652	Square D 60-Amp Circuit Breaker
10	EM5620	2.5 kW SpinFin Element