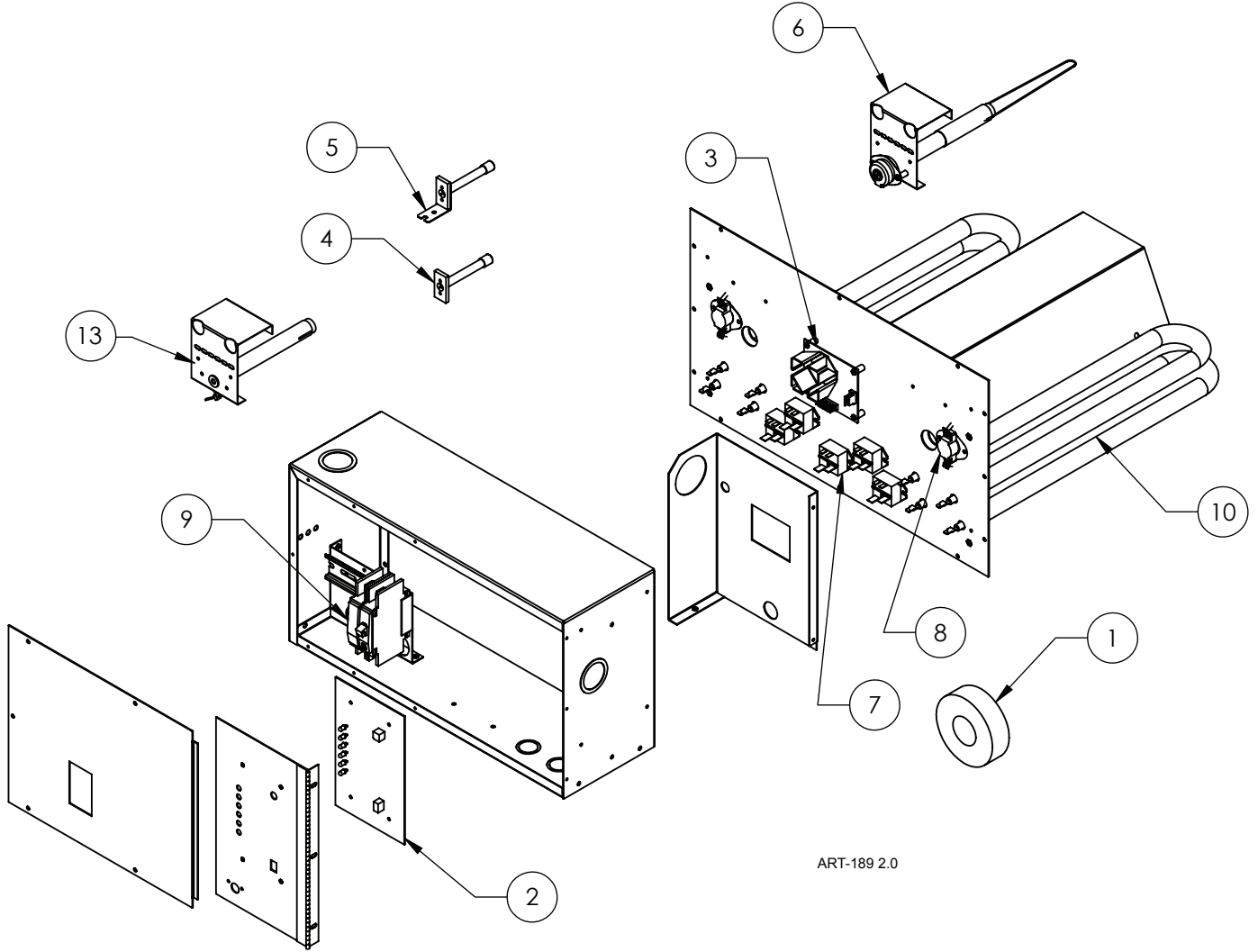


Electro EZ-Mate™ EM-LD**4** Series



ART-189 2.0

Replacement Part #		Description
EM-LD104Z5 / EM-LD104Z8		
EM-LD104L5 / EM-LD104L8		
1	3629	200-Amp 1:1000 Current Transformer
Common Parts for the EM-LD**** Series		
2	WF5665EZ	WarmFlo + Control Board
3	WFPDC5632	Relay Board
4	WFS5F	Duct Sensor
5	WFS25F	Outdoor Sensor
6	EM5729	High Limit Probe
7	5128C	30-Amp DC Relay
8	5633	118° Auto High Limit
9	5640	GE 60-Amp Circuit Breaker
9	5652	Square D 60-Amp Circuit Breaker
10	EM5620	2.5 kW SpinFin Element
13	EM5714	Down Flow High Limit Probe (<i>Shipped Loose</i>)