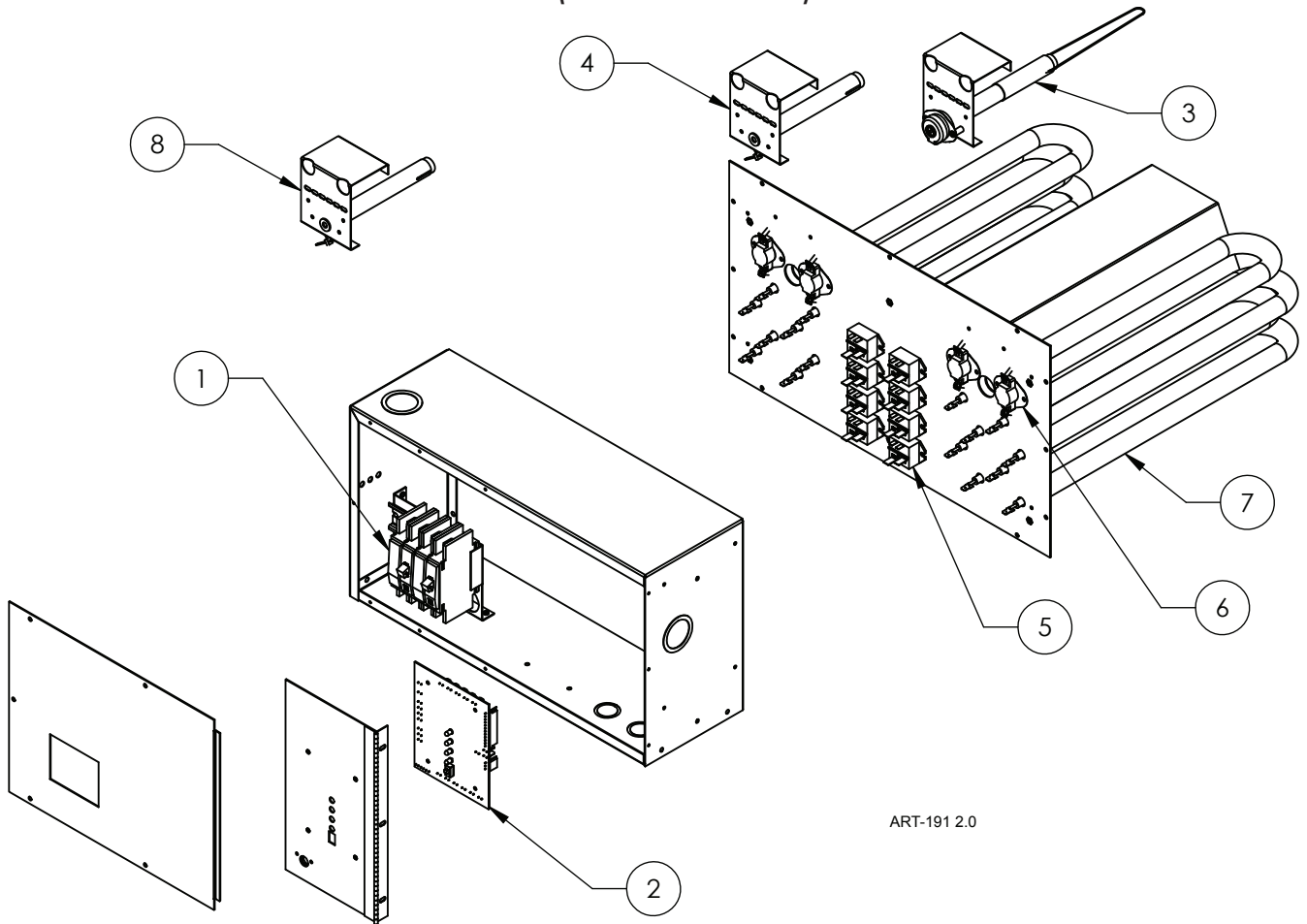


HeatChoice II™

EH-D**-* (EM-ED***C*) Series



ART-191 2.0

Replacement Part #		Description
EH-D10-5 (EM-ED102C5) / EH-D10-8 (EM-ED102C8)		
1	5652	Square D 60-Amp Circuit Breaker
EH-D15-5 (EM-ED153C5) / EH-D15-8 (EM-ED153C8)		
1	5650	Square D 30-Amp Circuit Breaker
1	5652	Square D 60-Amp Circuit Breaker
EH-D20-5 (EM-ED204C5) / EH-D20-8 (EM-ED204C8)		
1	5652	Square D 60-Amp Circuit Breaker

Replacement Part #		Description
Common Parts for the EH-D**-* (EM-ED***C*) Series		
2	EMDEC5633	HeatChoice II Control Board
3	EM5729	High Limit Probe
4	EM5724	Blower Limit Probe
5	5128C	30-Amp DC Relay
6	5633	118° Auto High Limit
7	EM5620	2.5 kW SpinFin Element
8	EM5714	Down Flow High Limit Probe (<i>Shipped Loose</i>)