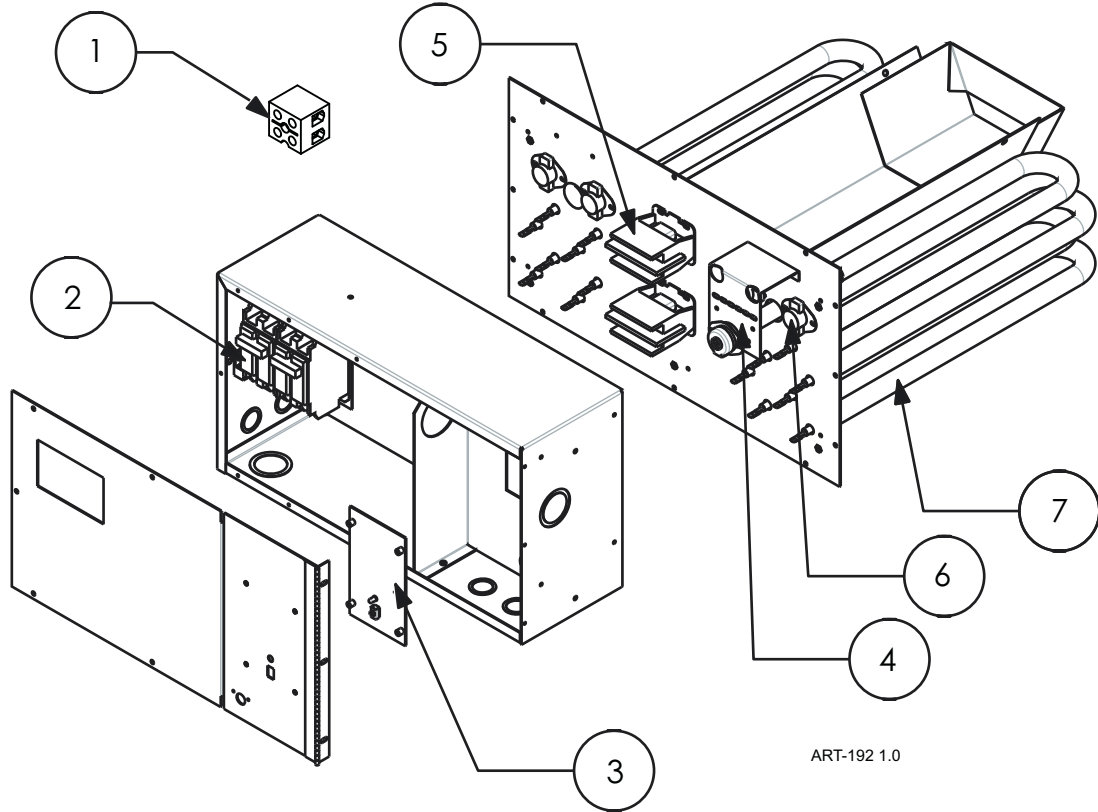


HeatChoice™

EH-U**-* (EM-EU***C*) Series



ART-192 1.0

Replacement Part #	Description	
EH-U05-5 (EM-EU051C5) EH-U05-8 (EM-EU051C8)		
1	6636	Terminal Block
EH-U10-5 (EM-EU101C5) EH-U10-8 (EM-EU101C8)		
1	6636	Terminal Block
EH-U15-5 (EM-EU152C5) EH-U15-8 (EM-EU152C8)		
2	5641	GE 45-Amp Circuit Breaker
2	5651	Square D 45-Amp Circuit Breaker
EH-U20-5 (EM-EU202C5) EH-U20-8 (EM-EU202C8)		
2	5640	GE 60-Amp Circuit Breaker
2	5652	Square D 60-Amp Circuit Breaker

Replacement Part #	Description	
EH-U25-8 (EM-EU253C8)		
2	5639	GE 30-Amp Circuit Breaker
2	5640	GE 60-Amp Circuit Breaker
2	5650	Square D 30-Amp Circuit Breaker
2	5652	Square D 60-Amp Circuit Breaker
Common Parts for the EH-U**-* (EM-EU***C*) Series		
3	EM-HC2-KIT	HeatChoice II Upgrade
4	EM5729	High Limit Probe
5	5126	30-Amp Two Pole Contactor Relay
6	5635	170° Auto High Limit
7	EM5620	2.5 kW SpinFin Element
8	UFUSE0440	2-Amp Fast Blow Fuse (<i>Not Shown</i>)