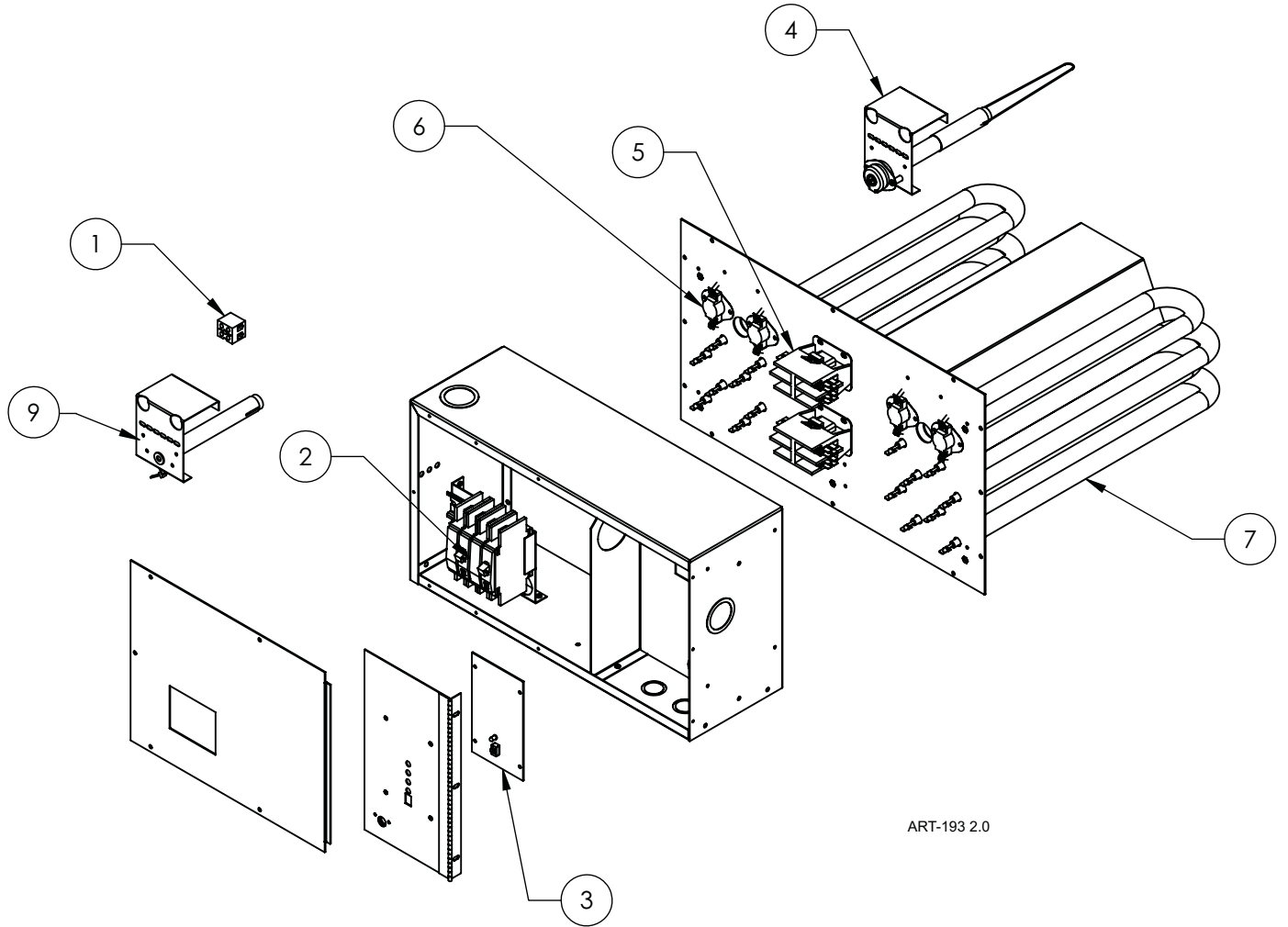


HeatChoice™

EH-D**-* (EM-ED***C*) Series



ART-193 2.0

Replacement Part #	Description	
EH-D05-5 (EM-ED051C5) EH-D05-8 (EM-ED051C8)		
1	6636	Terminal Block
EH-D10-5 (EM-ED101C5) EH-D10-8 (EM-ED101C8)		
1	6636	Terminal Block
EH-D15-5 (EM-ED152C5) EH-D15-8 (EM-ED152C8)		
2	5641	GE 45-Amp Circuit Breaker
2	5651	Square D 45-Amp Circuit Breaker
EH-DU20-5 (EM-ED202C5) EH-D20-8 (EM-ED202C8)		
2	5640	GE 60-Amp Circuit Breaker
2	5652	Square D 60-Amp Circuit Breaker

Replacement Part #	Description	
Common Parts for the EH-D**-* (EM-ED***C*) Series		
3	EM-HC2-KIT	HeatChoice II Upgrade
4	EM5729	High Limit Probe
5	5126	30-Amp Two Pole Contactor Relay
6	5635	170° Auto High Limit
7	EM5620	2.5 kW SpinFin Element
8	UFUSE0440	2-Amp Fast Blow Fuse (<i>Not Shown</i>)
9	EM5714	Down Flow High Limit Probe (<i>Shipped Loose</i>)