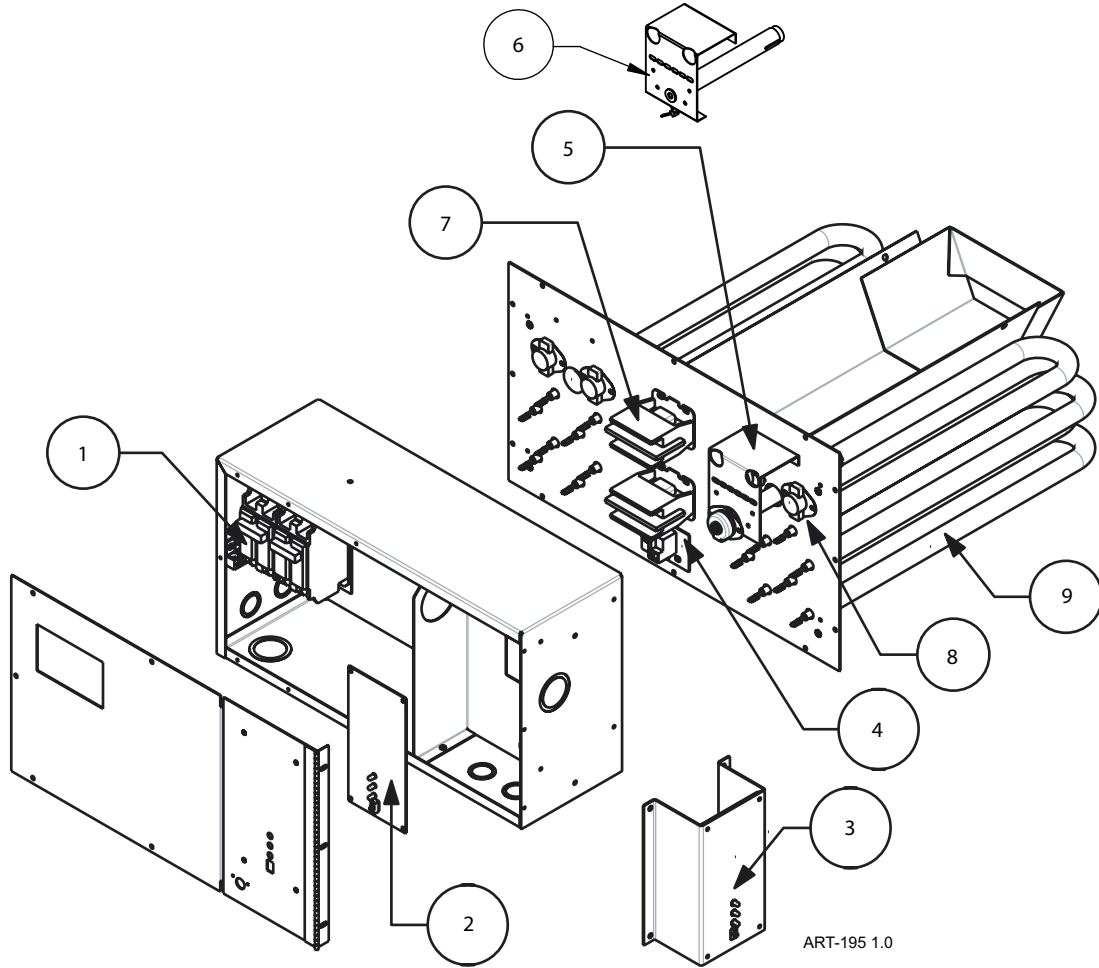


# Electro-Mate®

## EM-LV\*\*\*\*\* and EM-LU\*\*\*\*\* Series



Replacement Part #	Description	
<b>EM-LV10115   EM-LU10115   EM-LV10118   EM-LU10118</b>		
1	5640	GE 60-Amp Circuit Breaker
1	5652	Square D 60-Amp Circuit Breaker
<b>EM-LV15275   EM-LU15275   EM-LV15278   EM-LU15278</b>		
1	5641	GE 45-Amp Circuit Breaker
1	5651	Square D 45-Amp Circuit Breaker
<b>EM-LV20215   EM-LU20215   EM-LV20218   EM-LU20218</b>		
1	5640	GE 60-Amp Circuit Breaker
1	5652	Square D 60-Amp Circuit Breaker

Replacement Part #	Description	
<b>Common Parts for the EM-LV***** and EM-LU***** Series</b>		
2	EM5845	Dual Fuel Control (Door Mount)
3	EM5735C	Dual Fuel Control (Mounted on Black Bracket)
4	EM5626-2	Blower Relay Board
5	EM5729	High Limit Probe (For Plenum Heaters Manufactured after 11/2001)
6	EM5724	Blower Limit Probe
7	5126	30-Amp Two Pole Contactor Relay
8	5635	170° Auto High Limit
9	EM5620	2.5 kW SpinFin Element
10	UFUSE0440	2-Amp Fast Blow Fuse (Not Shown)