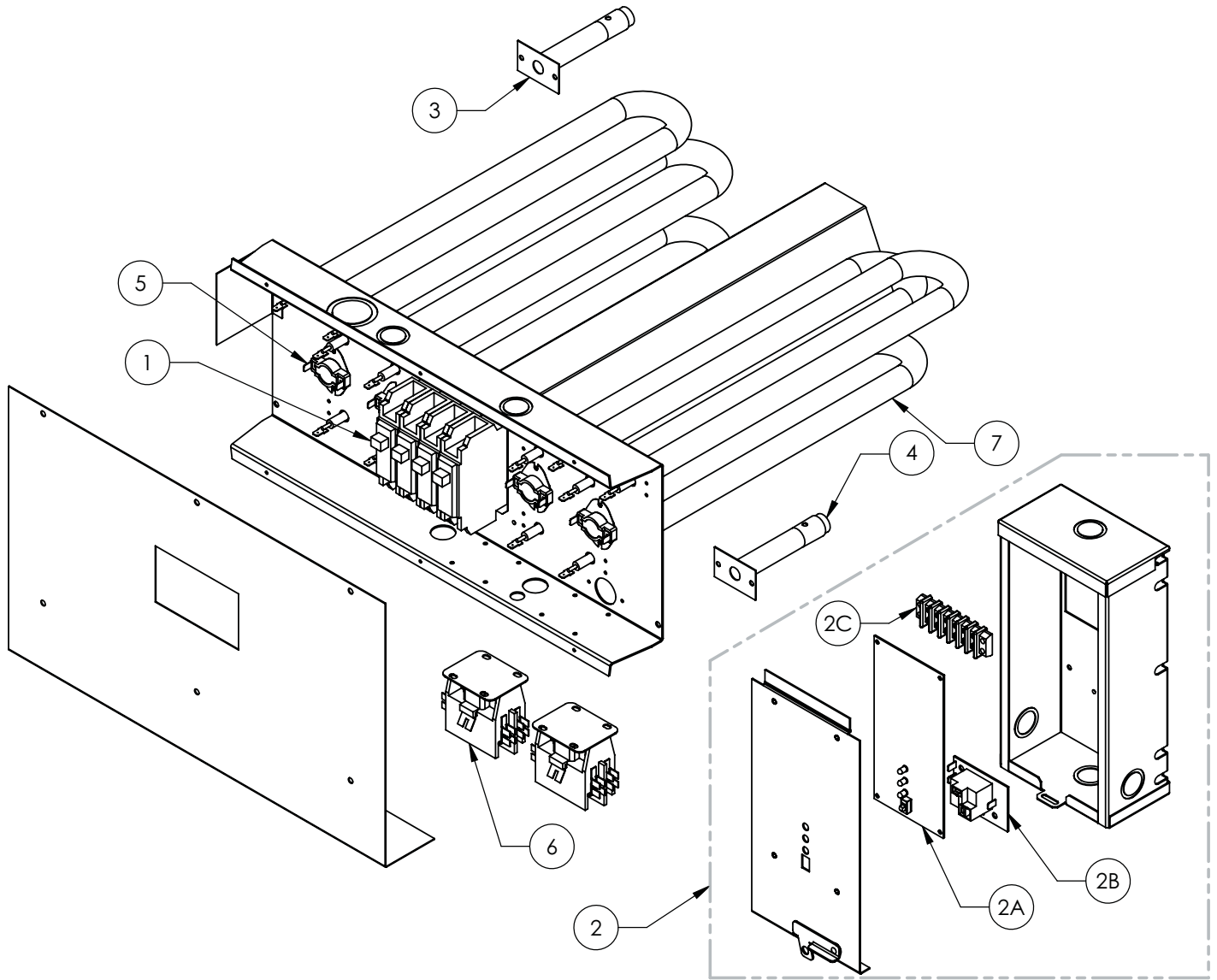


# Electro-Mate® Coleman EM-LD\*\*\*\*M Series



ART-197 1.0

Replacement Part #		Description
<b>EM-LD1011M</b>		
1	5640	GE 60-Amp Circuit Breaker
<b>EM-LD1527M</b>		
1	5641	GE 45-Amp Circuit Breaker
<b>Common Parts for the EM-LD****M Series</b>		
2	EE-5135-E	Complete Interface Module
2a	EM5835C	Dual Fuel Control
2b	EM5626-2	Blower Relay Board
2c	5961	Terminal Block
3	EM5713	Low Limit Probe
4	5631	205° High Limit
5	5635	170° Auto High Limit
6	5126	30-Amp Two Pole Contactor Relay
7	EM5620	2.5 kW SpinFin Element