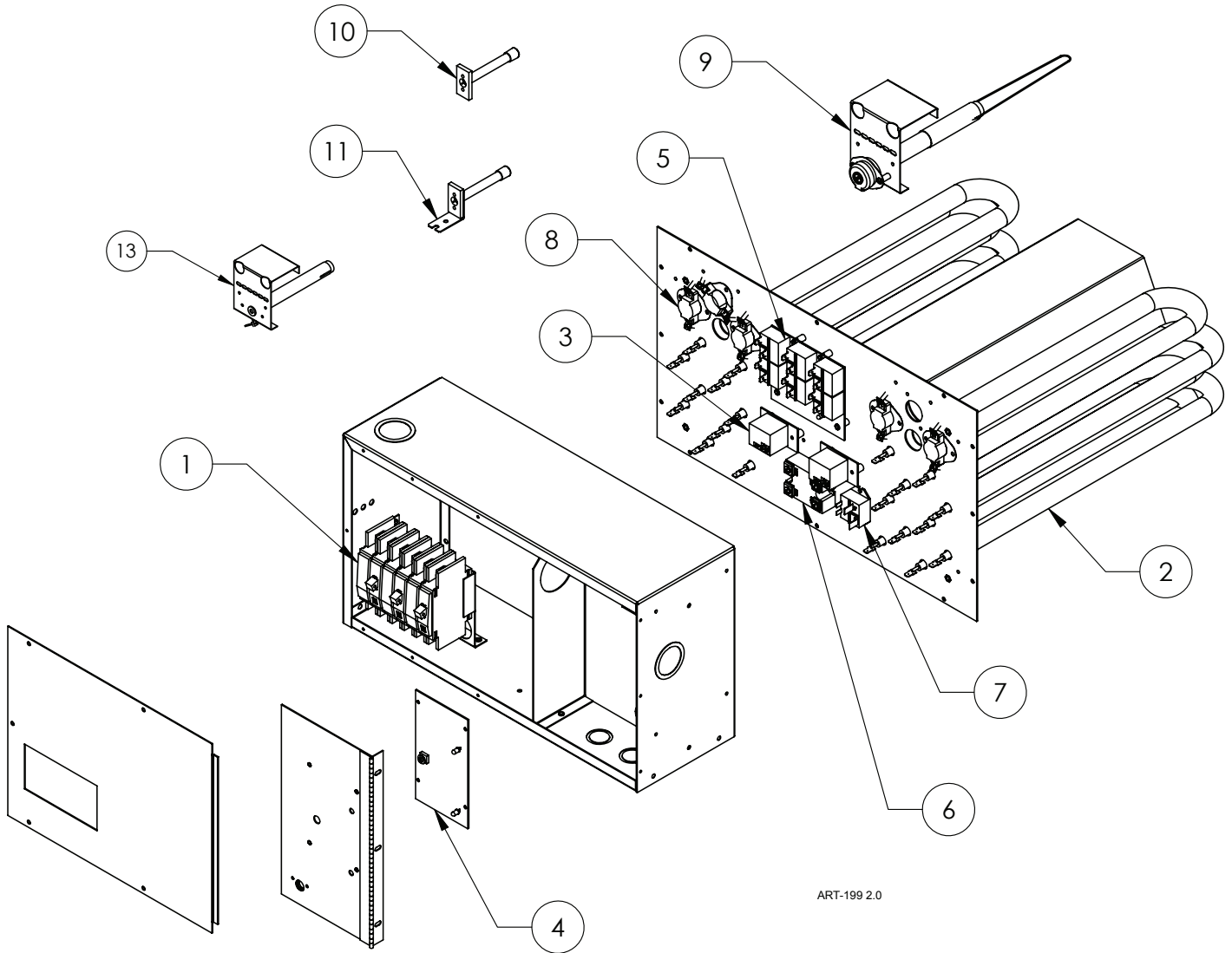


Electro-Mate® WarmFlo II®  
EM-WD\*\*\*\*\* Series



ART-199 2.0

(SEE NEXT PAGE FOR PARTS LIST)

# Electro-Mate® WarmFlo II®

## EM-WD\*\*\*\*\* Series

Replacement Part #	Description
--------------------	-------------

Replacement Part #	Description
--------------------	-------------

<b>EM-WD10255 / EM-WD10258</b>		
1	5640	GE 60-Amp Circuit Breaker
1	5652	Square D 60-Amp Circuit Breaker
2	EM5620	2.5 kW SpinFin Element

<b>Common Parts for the EM-WD***** Series</b>		
4	WF2FR	WarmFlo II Control Board
5	WFRFT5616	Relay Board
6	4037KIT	50-Amp Triac Kit
7	5128C	30-Amp DC Relay
8	5633	118° Auto High Limit
9	EM5729	High Limit Probe
10	WFSSF	Duct Sensor (For Plenum Heaters Manufactured before 07/2004)
10	WFS5F	Duct Sensor (For Plenum Heaters Manufactured after 07/2004)
11	WFSOF	Outdoor Sensor (For Plenum Heaters Manufactured before 07/2004)
11	WFS25F	Outdoor Sensor (For Plenum Heaters Manufactured after 07/2004)
12	UFUSE0440	2-Amp Fast Blow Fuse ( <i>Not Shown</i> )
13	EM5714	Down Flow High Limit Probe ( <i>Shipped Loose</i> )

<b>EM-WD14358</b>		
1	5670	GE 50-Amp 3 Phase Circuit Breaker
1	5655	Square D 50-Amp 3 Phase Circuit Breaker
2	EM5622	2.5 kW Element - 208 3-Phase

<b>EM-WD15355 / EM-WD15358</b>		
1	5639	GE 30-Amp Circuit Breaker
1	5640	GE 60-Amp Circuit Breaker
1	5650	Square D 30-Amp Circuit Breaker
1	5652	Square D 60-Amp Circuit Breaker
2	EM5620	2.5 kW SpinFin Element

<b>Interfaces</b>		
14	WF-LGR4	Heat Pump Thermostat Interface
14a	WF6708LGR4	Control Board for WF-LGR4
16	WF-EZ3	Heat Pump 4-wire Thermostat Interface
16a	WF6704EZ3	Control Board for WF-EZ3
17	WF-HP2	Two Speed Heat Pump Interface
17b	HP26706	Control Board for WF-HP2
18	WF-HE	Evolution™ and Infinity™ WarmFlo Interface
19	WF-EM3	Non-Heat Pump Interface
19a	WF6704EM3	Control Board for WF-EM3

<b>EM-WD20455 / EM-WD20458</b>		
1	5640	GE 60-Amp Circuit Breaker
1	5652	Square D 60-Amp Circuit Breaker
2	EM5620	2.5 kW SpinFin Element

<b>EM-WD22478</b>		
1	5671	GE 80-Amp 3 Phase Circuit Breaker
1	5657	Square D 80-Amp 3 Phase Circuit Breaker
2	EM5622	2.5 kW Element - 208 3-Phase
3	5123	Upperstage Relay Board (EMR1B8102B)

<b>EM-WD25458</b>		
1	5639	GE 30-Amp Circuit Breaker
1	5640	GE 60-Amp Circuit Breaker
1	5650	Square D 30-Amp Circuit Breaker
1	5652	Square D 60-Amp Circuit Breaker
2	EM5620	2.5 kW SpinFin Element
3	5123	Upperstage Relay Board (EMR1B8102B)