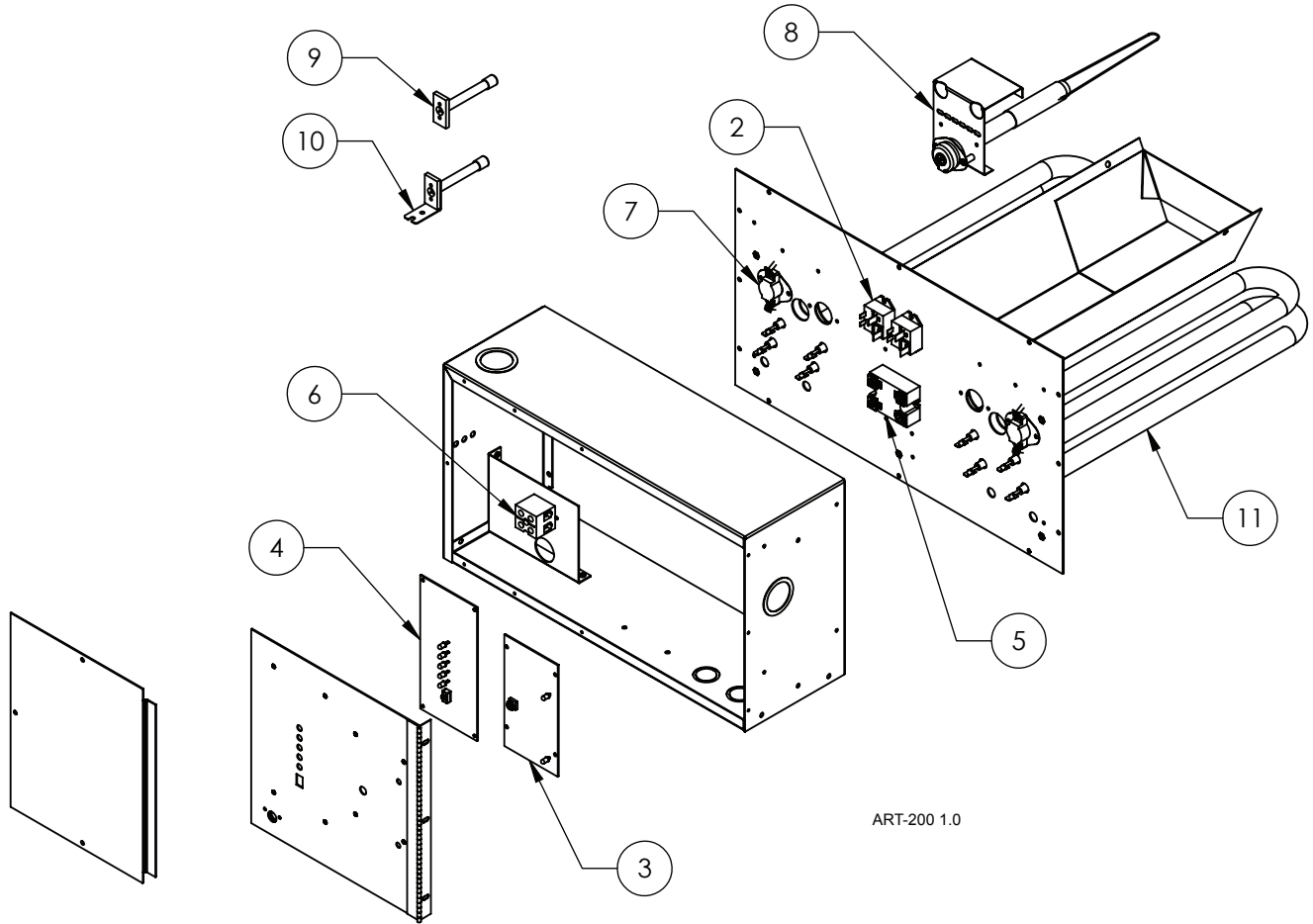


Electro-Mate® WarmFlo II® EM-WU***H* Series



ART-200 1.0

Replacement Part #	Description
EM-WU051H5 / EM-WU051H8	
	See Common Parts
EM-WU102H5 / EM-WU102H8	
2	5128C 30-Amp DC Relay

Replacement Part #	Description
Common Parts for the EM-WU***H* Series	
3	WF2FR WarmFlo II Control Board
4	WF6704EZ3 Control Board for Interface
5	4038KIT 50-Amp Triac Kit
6	6636 Terminal block
7	5633 118° Auto High Limit
8	EM5729 High Limit Probe
9	WFSSF Duct Sensor (For Plenum Heaters Manufactured before 07/2004)
9	WFS5F Duct Sensor (For Plenum Heaters Manufactured after 07/2004)
10	WFSOF Outdoor Sensor (For Plenum Heaters Manufactured before 07/2004)
10	WFS25F Outdoor Sensor (For Plenum Heaters Manufactured after 07/2004)
11	EM5620 2.5 kW SpinFin Element
13	UFUSE0440 2-Amp Fast Blow Fuse (Not Shown)