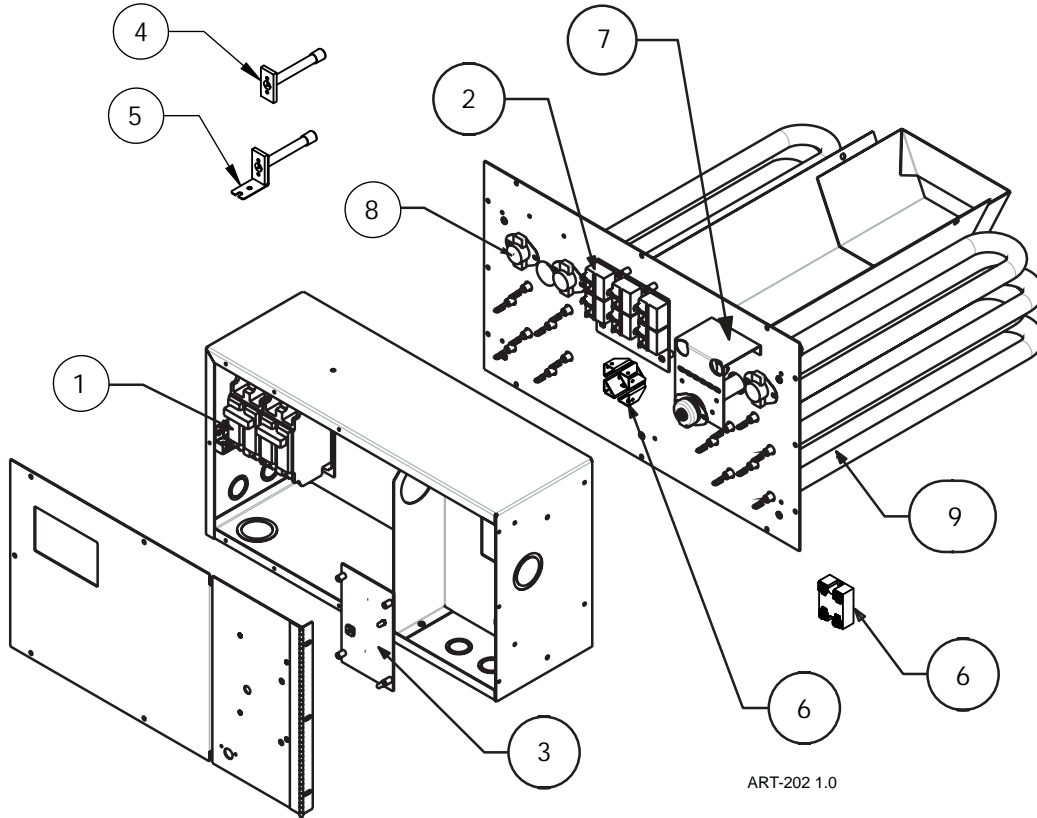


# Electro-Mate® WarmFlo® EM-WV\*\*\*\*\* Series



Replacement Part #		Description
<b>EM-WV15355 / EM-WV15358</b>		
1	5639	GE 30-Amp Circuit Breaker
1	5640	GE 60-Amp Circuit Breaker
<b>EM-WV20355 / EM-WV20358</b>		
1	5640	GE 60-Amp Circuit Breaker

Replacement Part #		Description
<b>Common Parts for the EM-WV***** Series</b>		
2	WFR6T5616	Relay Board, 3-Stage
3	WF2BK	WarmFlo II Control Board
4	WFSSF	Duct Sensor
5	WFSOF	Outdoor Sensor
6	WF4037 (4036)	4036 Replacement Kit (30-Amp Triac)
7	EM5729	High Limit Probe
8	5633	118° Auto High Limit
9	EM5620	2.5 kW SpinFin Element