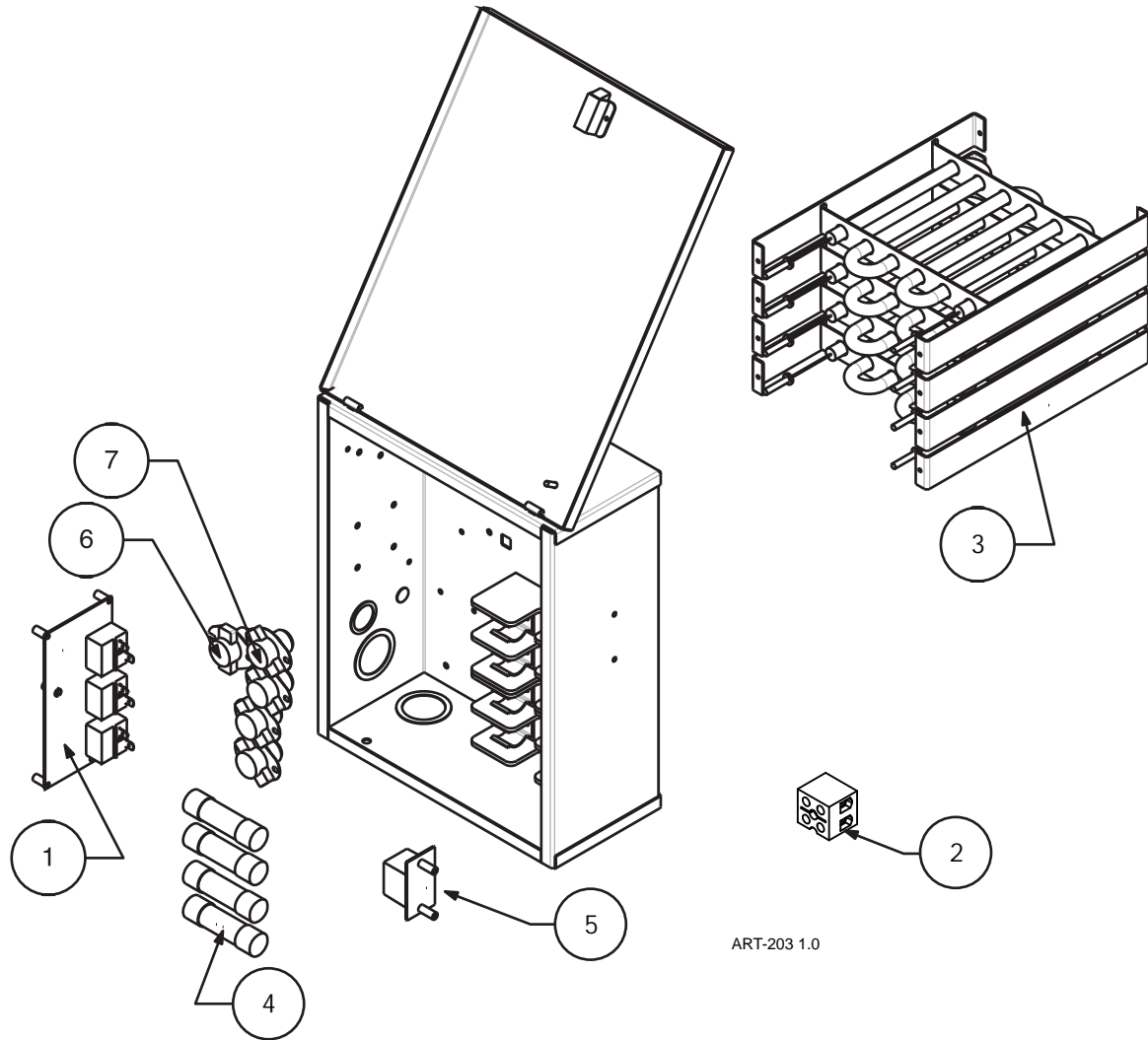


Basic Element Duct Heater

EM-DI***** Series



Replacement Part #	Description
--------------------	-------------

<i>EM-DI1025C / EM-DI1025L</i>	
1	EMD2I6600 Control Board 2-Stage
2	6636 Terminal Block
3	EM6617 4.8 kW Element 240V – 16"

<i>EM-DI1025H</i>	
1	EMD2I6600 Control Board 2-Stage
2	6636 Terminal Block
3	EM6615 4.8 kW Element 240V – 10"

<i>EM-DI1535C / EM-DI1535L</i>	
1	EMD3I6600 Control Board 3-Stage
3	EM6617 4.8 kW Element 240V – 16"
4	UFUSE6640 50-Amp Fuse
4	UFUSE5141 30-Amp Fuse

<i>EM-DI1535H</i>	
1	EMD3I6600 Control Board 3-Stage
3	EM6615 4.8 kW Element 240V – 10"
4	UFUSE6640 50-Amp Fuse
4	UFUSE5141 30-Amp Fuse

Replacement Part #	Description
--------------------	-------------

<i>EM-DI2035C / EM-DI2035L</i>	
1	EMD3I6600 Control Board 3-Stage
3	EM6617 4.8 kW Element 240V – 16"
4	UFUSE6640 50-Amp Fuse
5	5123 Relay Board, 20 kW only (EMR1B8102B)

<i>EM-DI2035H</i>	
1	EMD3I6600 Control Board 3-Stage
3	EM6615 4.8 kW Element 240V – 10"
4	UFUSE6640 50-Amp Fuse
5	5123 Relay Board, 20 kW only (EMR1B8102B)

<i>Common Parts for the EM-DI*****</i>		
6	5636	135° High Limit
7	6630	150° High Limit