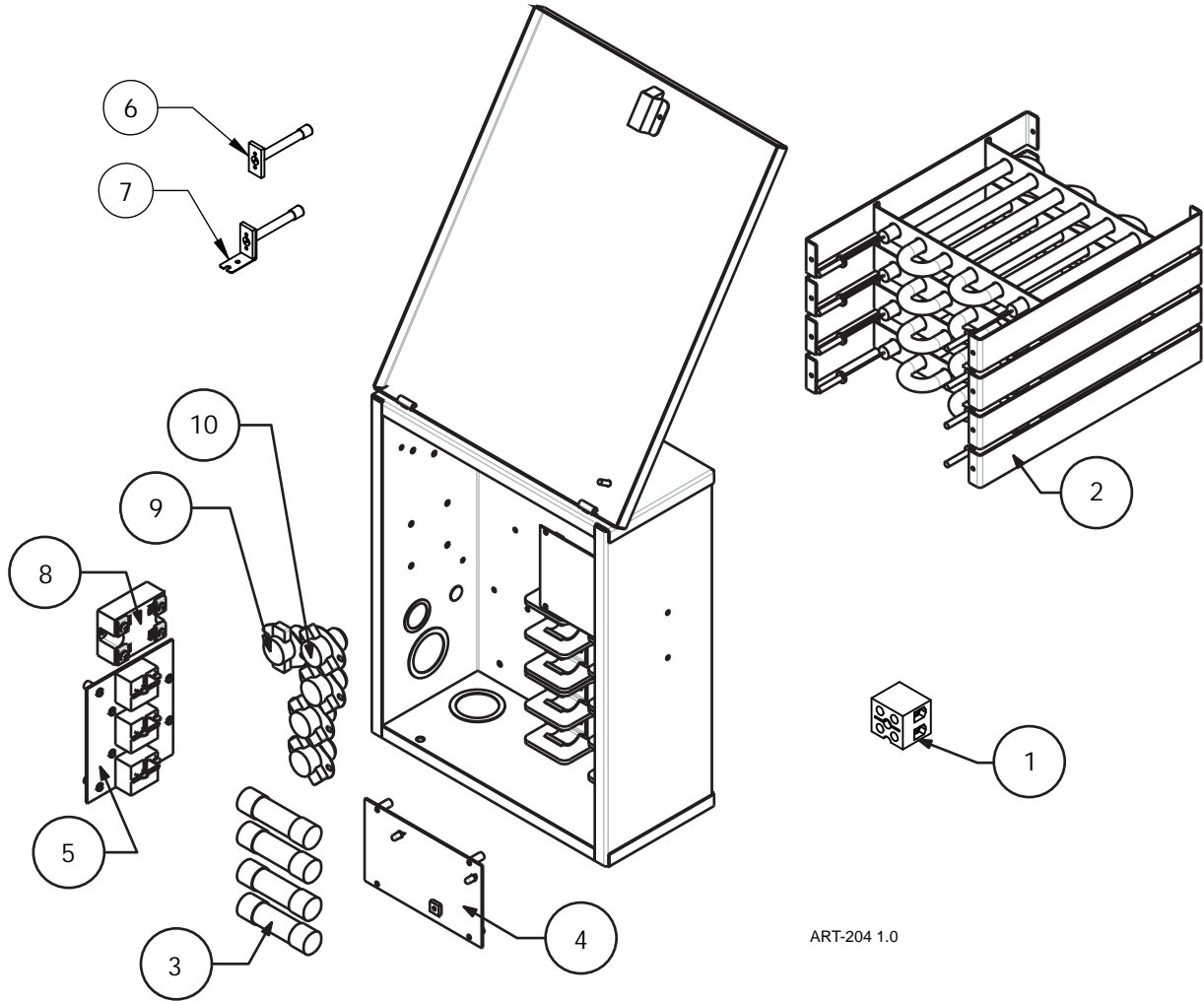


WarmFlo® Controlled Duct Heater

EM-WE***** Series



ART-204 1.0

Replacement Part #	Description
--------------------	-------------

<i>EM-WE1025C / EM-WE1025L</i>	
1	6636 Terminal Block
2	EM6617 4.8 kW Element – 16"

<i>EM-WE1025H</i>	
1	6636 Terminal Block
2	EM6615 4.8 kW Element – 10"

<i>EM-WE1535C / EM-WE1535L</i>	
2	EM6617 4.8 kW Element – 16"
3	UFUSE6640 50-Amp Fuse
3	UFUSE5141 30-Amp Fuse

<i>EM-WE1535H</i>	
2	EM6615 4.8 kW Element – 10"
3	UFUSE6640 50-Amp Fuse
3	UFUSE5141 30-Amp Fuse

<i>EM-WE2035C / EM-WE2035L</i>	
2	EM6617 4.8 kW Element – 16"
3	UFUSE6640 50-Amp Fuse

Replacement Part #	Description
--------------------	-------------

<i>EM-WE2035H</i>	
2	EM6615 4.8 kW Element – 10"
3	UFUSE6640 50-Amp Fuse

<i>Common Parts for the EM-WE*****</i>	
4	WF2BK WarmFlo II Control Board
5	WFR3T5616 Relay Board
6	WFS5F Duct Sensor (For Heaters Manufactured After 7/2004)
6	WFSSF Duct Sensor (For Heaters Manufactured Before 7/2004)
7	WFS25F Outdoor Sensor (For Heaters Manufactured After 7/2004)
7	WFSOF Outdoor Sensor (For Heaters Manufactured Before 7/2004)
8	4037KIT 50-Amp Triac
9	5636 135° High Limit
10	6630 150° High Limit