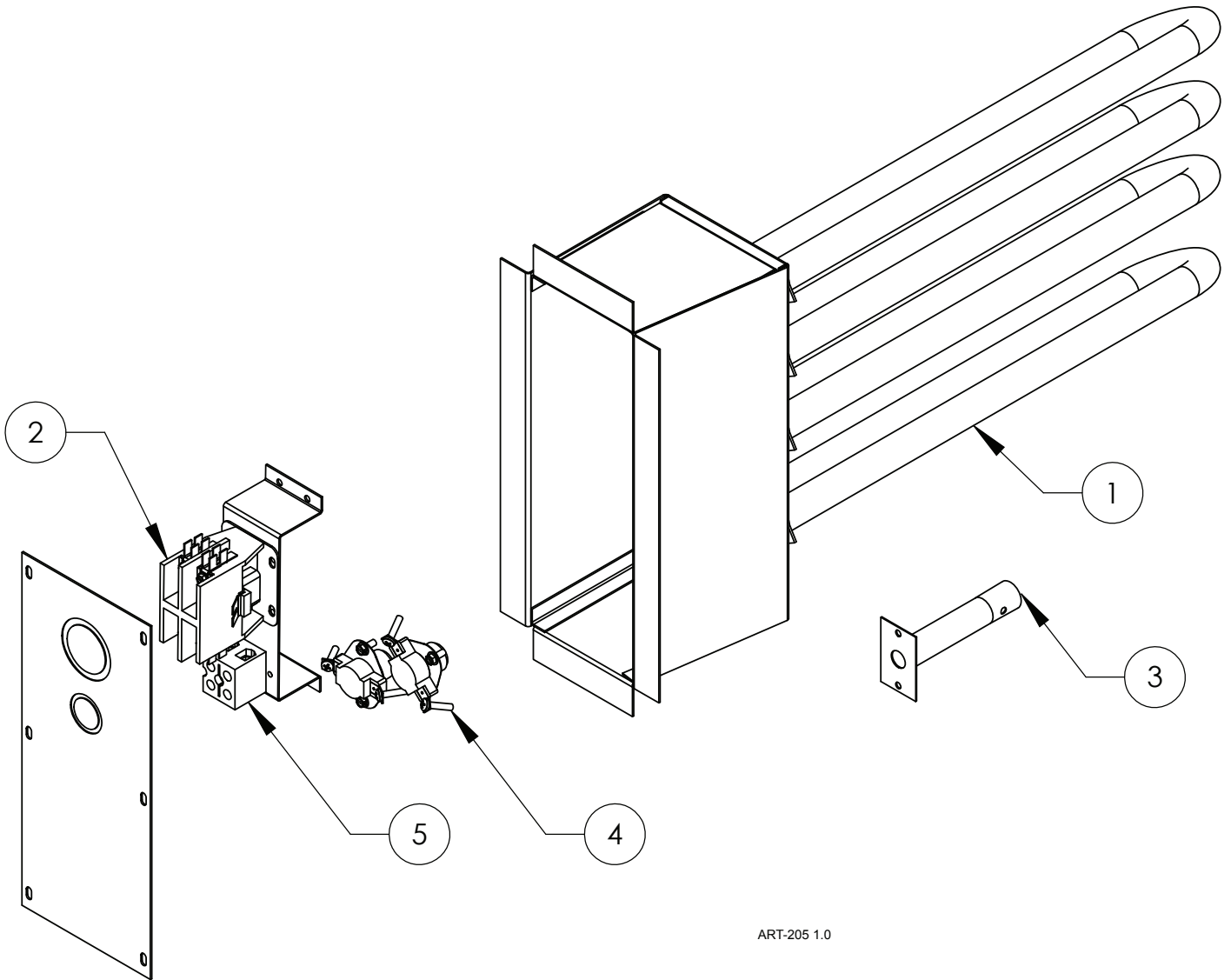


# Custom Duct Heater EM-II05154 and EM-II10114



ART-205 1.0

Replacement Part #	Description	
<b>EM-II05154 / EM-II10114</b>		
1	EM5620	2.5 kW SpinFin Element
2	5126	30-Amp Two Pole Contactor Relay
3	5625	180° High Limit Probe Sensor
4	5635	170° Auto High Limit
5	6636	Terminal Block