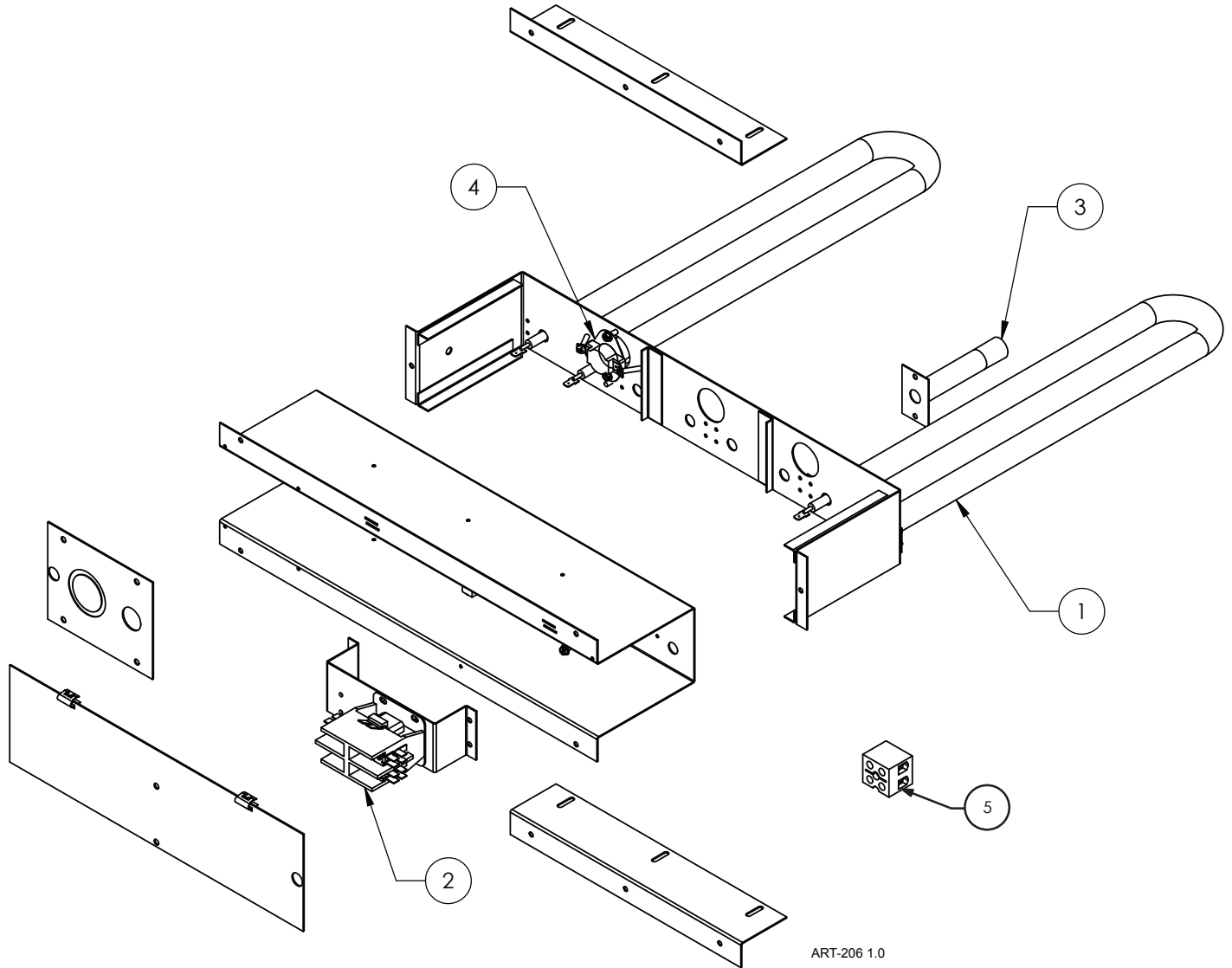


# Custom Duct Heater

## EM-II05158 and EM-II10118



ART-206 1.0

Replacement Part #	Description	
<b>EM-II05158 / EM-II10118</b>		
1	EM5620	2.5 kW SpinFin Element
2	5126	30-Amp Two Pole Contactor Relay
3	5625	180° High Limit Probe Sensor
4	5635	170° Auto High Limit
5	6636	Terminal Block