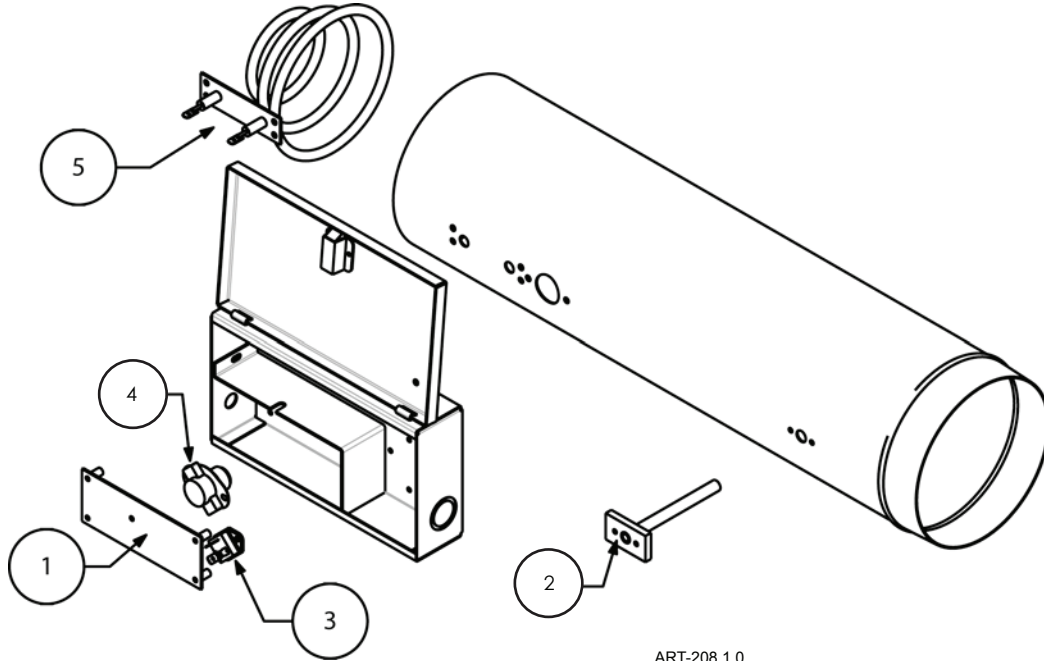


WarmFlo® Make-Up Air Heater EM-WX0111R



ART-208 1.0

Replacement Part #	Description
EM-WX0111R	
1	WFCD25605 Control Board
2	WFS3 Duct Sensor (For Heaters Manufactured After 7/2004)
2	@WFSST2FT Duct Sensor (For Heaters Manufactured Before 7/2004)
3	WF4036 30-Amp Triac Kit
4	6630 150° High Limit
5	EM6613 1 kW 120V Element
6	WCORD4035 Power Cord (Not Shown)