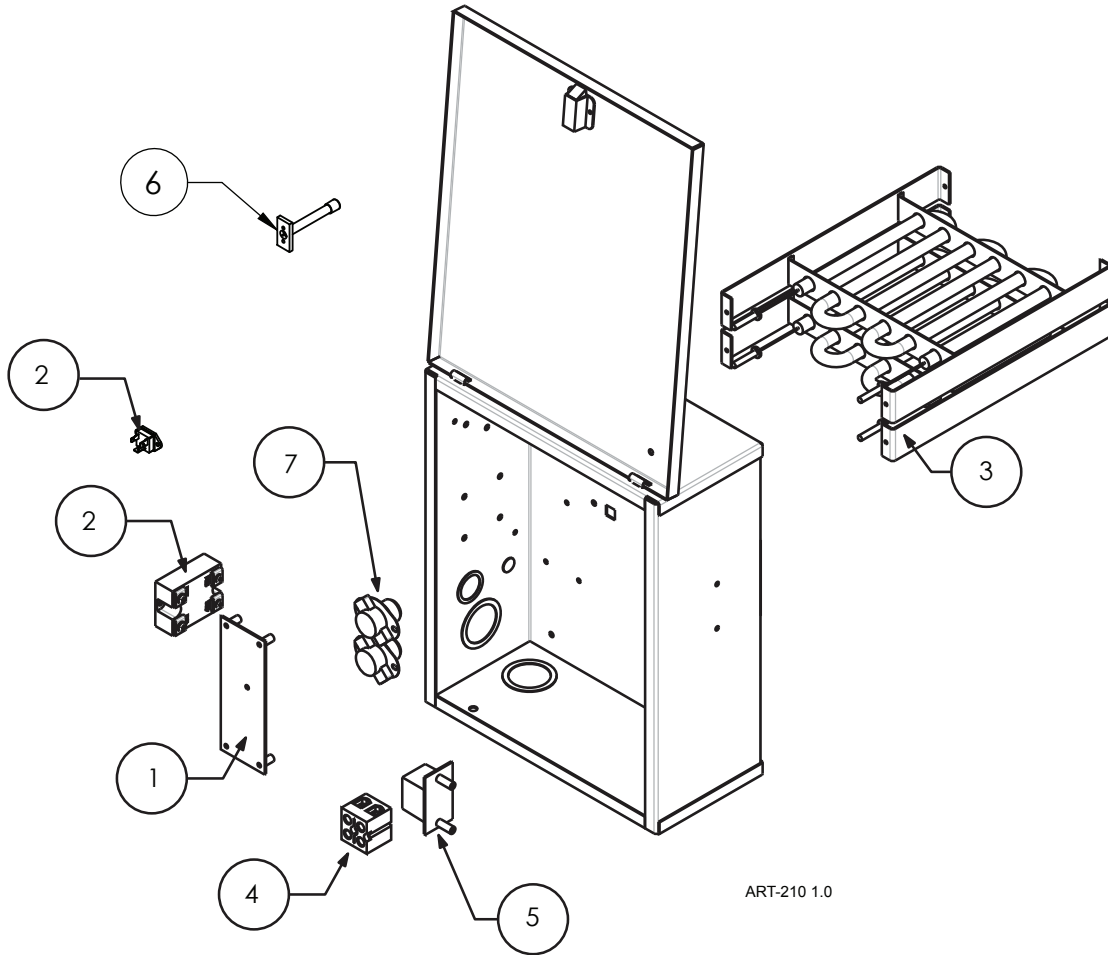


WarmFlo® Make-Up Air Heater

EM-WC***** Series



ART-210 1.0

| Replacement Part # | Description |
|--------------------|-------------|
|--------------------|-------------|

| EM-WC0313H | |
|-------------------|--|
| 2 | WF4036 30-Amp Triac Kit |
| 3 | Element <i>The 2.5 kW element is longer available. For element replacement purchase part # EM6615 4.8 kW Element and part # 4037KIT 50-Amp Triac Kit.</i> |

| EM-WC0515H | |
|-------------------|--|
| 2 | 4037KIT-WC05 Triac Kit, with Heat Sink for EM-WC05, CM1 |
| 3 | EM6615 4.8 kW Element – 10" |

| EM-WC0515L | |
|-------------------|--|
| 2 | 4037KIT-WC05 Triac Kit, with Heat Sink for EM-WC05, CM1 |
| 3 | EM6617 4.8 kW Element – 16" |

| Replacement Part # | Description |
|--------------------|-------------|
|--------------------|-------------|

| EM-WC1025H | |
|-------------------|----------------------------------|
| 2 | 4037KIT 50-Amp Triac Kit |
| 3 | EM6615 4.8 kW Element – 10" |
| 4 | 6636 Terminal Block |
| 5 | 5123 Relay Board (EMR1B8102B) |

| EM-WC1025L | |
|-------------------|----------------------------------|
| 2 | 4037KIT 50-Amp Triac Kit |
| 3 | EM6617 4.8 kW Element – 16" |
| 4 | 6636 Terminal Block |
| 5 | 5123 Relay Board (EMR1B8102B) |

| Common Parts for the EM-WC***** | |
|--|---|
| 1 | WFCD25605 Control Board |
| 6 | WFS3 Duct Sensor (For Heaters Manufactured After 7/2004) |
| 6 | WFSST Duct Sensor (For Heaters Manufactured Before 7/2004) |
| 7 | 6630 150° High Limit |