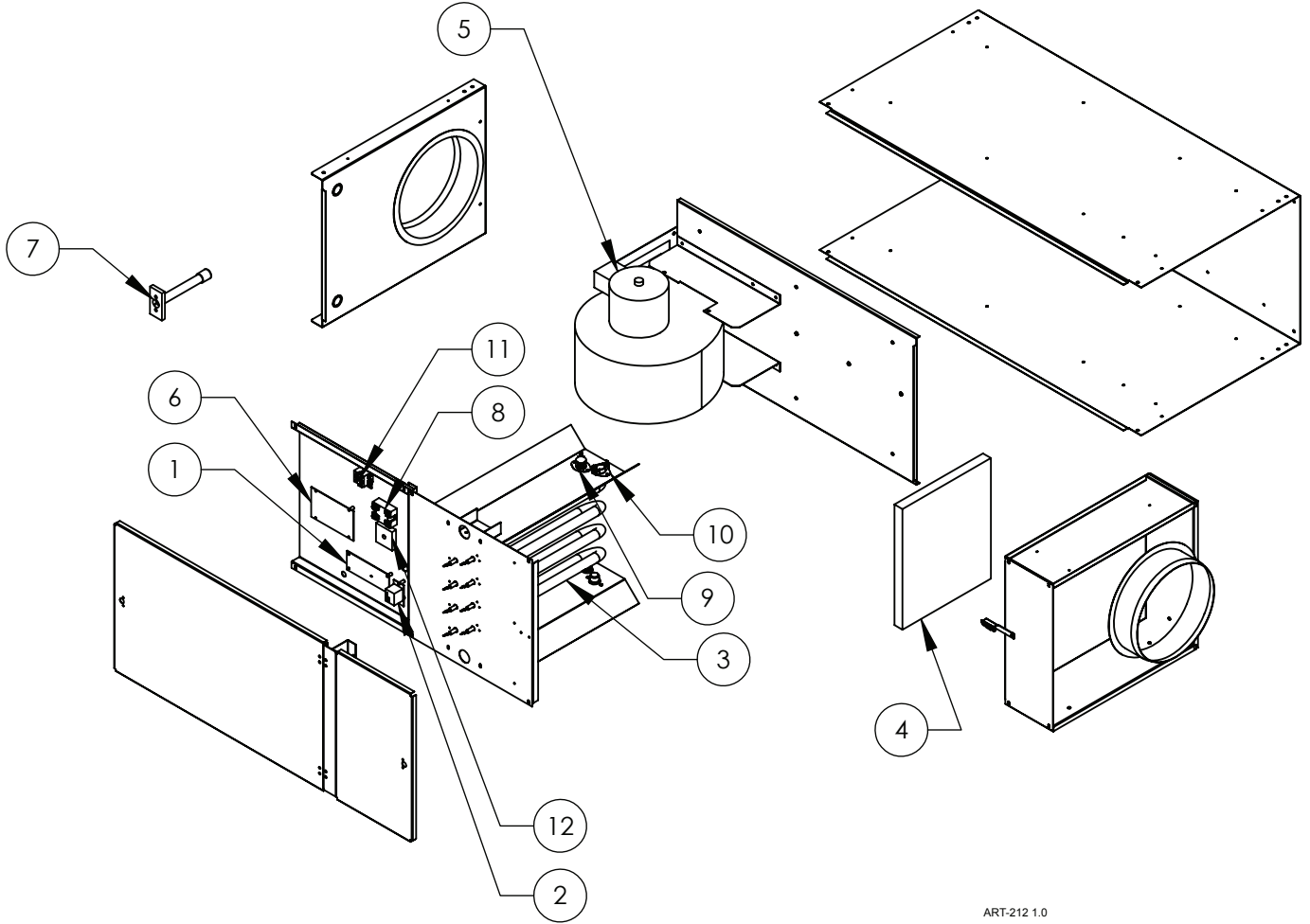


WarmFlo® Make-Up Air Heater

EM-WH***** Series



ART-212 1.0

Replacement Part #	Description	
EM-WH0515J		
3	EM5621	2.5 kW Round Element
4	5712	13" x 11" Filter
5	5717	300 CFM Blower Motor
EM-WH1025K		
2	5123	Relay Board (EMR1B8102B)
3	EM5620	2.5 kW SpinFin Element
4	5722	18" x 15.5" Filter
5	5719	700 CFM Blower Motor

Replacement Part #	Description	
Common Parts for the EM-WH*****		
1	WFCD25605	Control Board
6	EMBRM5711	Relay / Transformer Board
7	WFS3	Duct Sensor (For Heaters Manufactured After 7/2004)
7	@WFSST2FT	Duct Sensor (For Heaters Manufactured Before 7/2004)
8	4037KIT	50-Amp Triac Kit
9	5636	135° High Limit
10	6630	150° High Limit
11	6636	Terminal Block
12	9481	Phase Controller