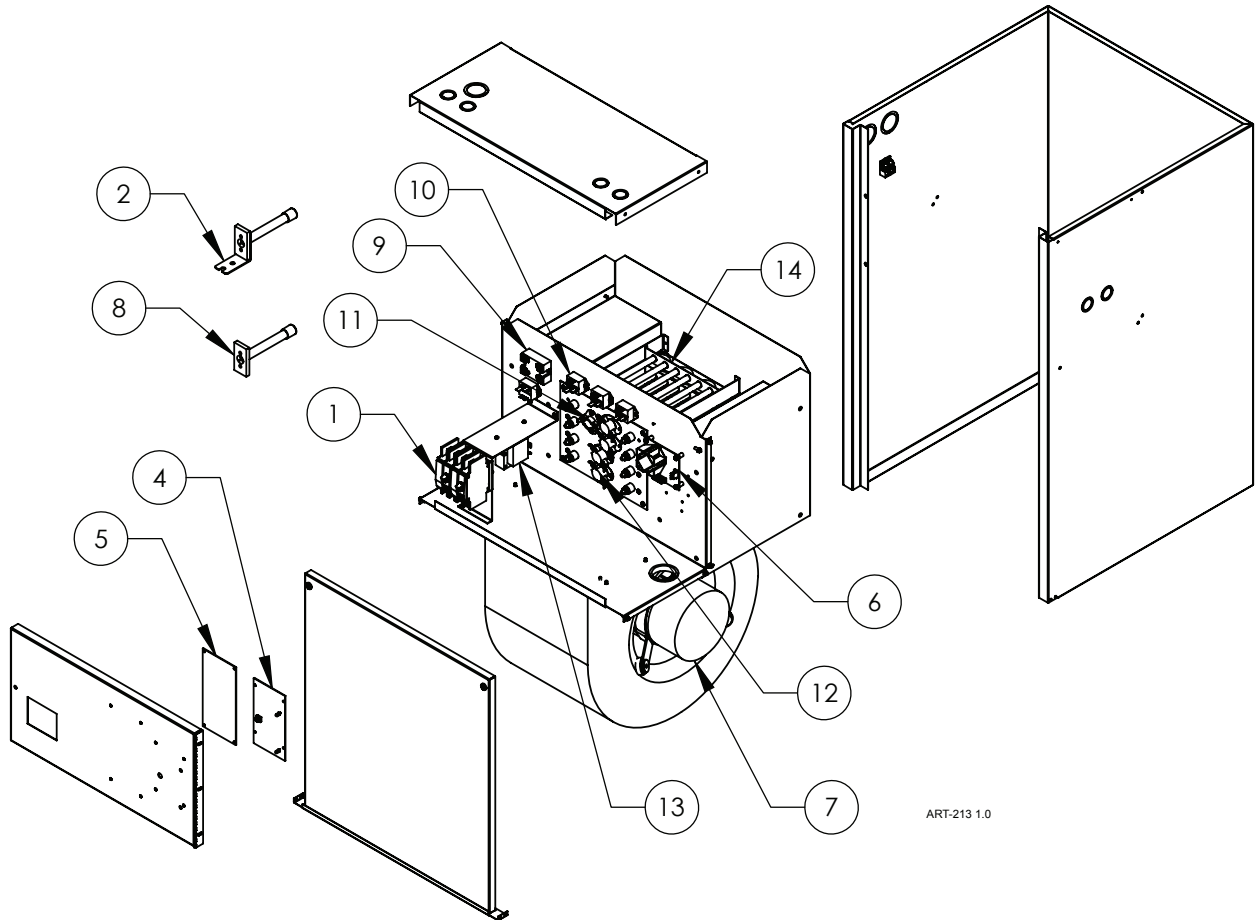


WarmFlo® Air Handler/Electric Furnace

HE-*-*-21



ART-213 1.0

Replacement Part #		Description
HE-A-10-21		
1	5652	Square D 60-Amp Circuit Breaker
HE-A-15-21		
1	5650	Square D 30-Amp Circuit Breaker
1	5652	Square D 60-Amp Circuit Breaker
HE-A-20-21		
1	5652	Square D 60-Amp Circuit Breaker
HE-H-10-21		
1	5652	Square D 60-Amp Circuit Breaker
2	WFS25F	Outdoor Sensor
HE-H-15-21		
1	5650	Square D 30-Amp Circuit Breaker
1	5652	Square D 60-Amp Circuit Breaker
2	WFS25F	Outdoor Sensor

Replacement Part #		Description
HE-H-20-21		
1	5652	Square D 60-Amp Circuit Breaker
2	WFS25F	Outdoor Sensor
Common Parts for the HE-*-*-21		
4	WF2FR	WarmFlo Control Board
4a	UIC9266 R-080	Microchip v. 2.3* (Specify Code – AH, AHS)
5	HEIBG6707	ECM Motor Control Board
6	WFPDC5632	AC/DC Power Supply Board
7	HE5850	½ HP ECM Motor
8	WFS5F	Supply Sensor
9	4038KIT	50-Amp Triac Kit
10	5128C	30-Amp DC Relay
11	5636	135° High Limit
12	6630	150° High Limit
13	5541	40VA Transformer with Pigtails
14	EM6615	4.8 kW Element – 10"