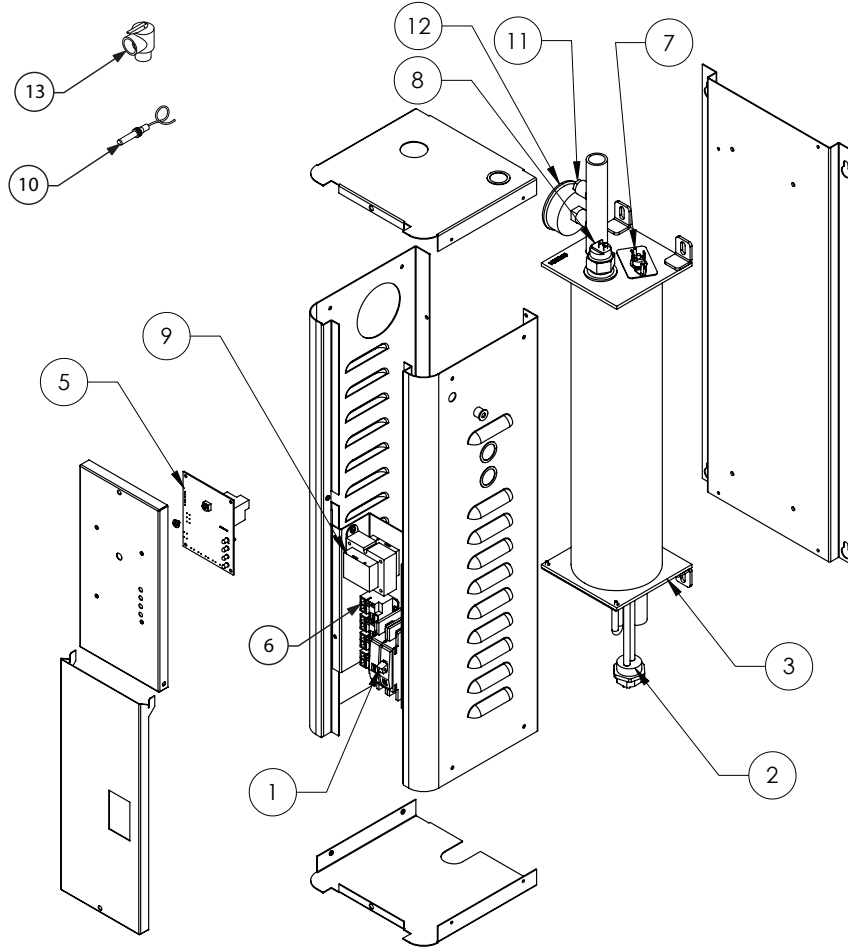


Mini-Boiler™ EMB-S-* Series



ART-225 2.0

Replacement Part #	Description
--------------------	-------------

EMB-S-1	
1	6636 Terminal Block
2	EB5520 4.5kW Element with Gasket
3	EMBSVS1 1kW Vessel Assembly

EMB-S-2	
1	6636 Terminal Block
2	EB5523 2.5kW Element with Gasket – 120VAC
3	EMBSVS2 2kW Vessel Assembly

EMB-S-4	
1	6636 Terminal Block
2	EB5523 2.5kW Element with Gasket – 120VAC
3	EMBSVS4 4.5kW Vessel Assembly

EMB-S-5	
1	5650 Square D 30-Amp Circuit Breaker
2	EB5520 4.5kW Element with Gasket
3	EMBSVS5 5kW Vessel Assembly

EMB-S-7	
1	5651 Square D 45-Amp Circuit Breaker
2	EB5524 2.5kW Element with Gasket – 240VAC
2	EB5520 4.5kW Element with Gasket
3	EMBSVS7 7kW Vessel Assembly

Replacement Part #	Description
--------------------	-------------

EMB-S-9	
1	5652 Square D 60-Amp Circuit Breaker
2	EB5520 4.5kW Element with Gasket
3	EMBSVS9 9kW Vessel Assembly

Common Parts for the EMB-S-* Series		
5	EMBS5636	Control Board
6	5128C	30-Amp DC Relay
7	5532	205° Manual Reset Limit – Low Voltage
8	5537G	190° Auto Reset Limit
9	5541	40VA Transformer with Pigtailed
10	WFS2	Supply Sensor
11	[EBTB5533	Sensor Well
12	5456A	Pressure / Temperature Gauge
13	5453	30 psi Relief Valve
14	XEL7800	3/4" Pipe Elbow (Not Shown)
15	XNPL7300	3/4" x 2 1/2" Pipe Nipple (Not Shown)
16	XTEE7000	3/4" Pipe Tee (Not Shown)