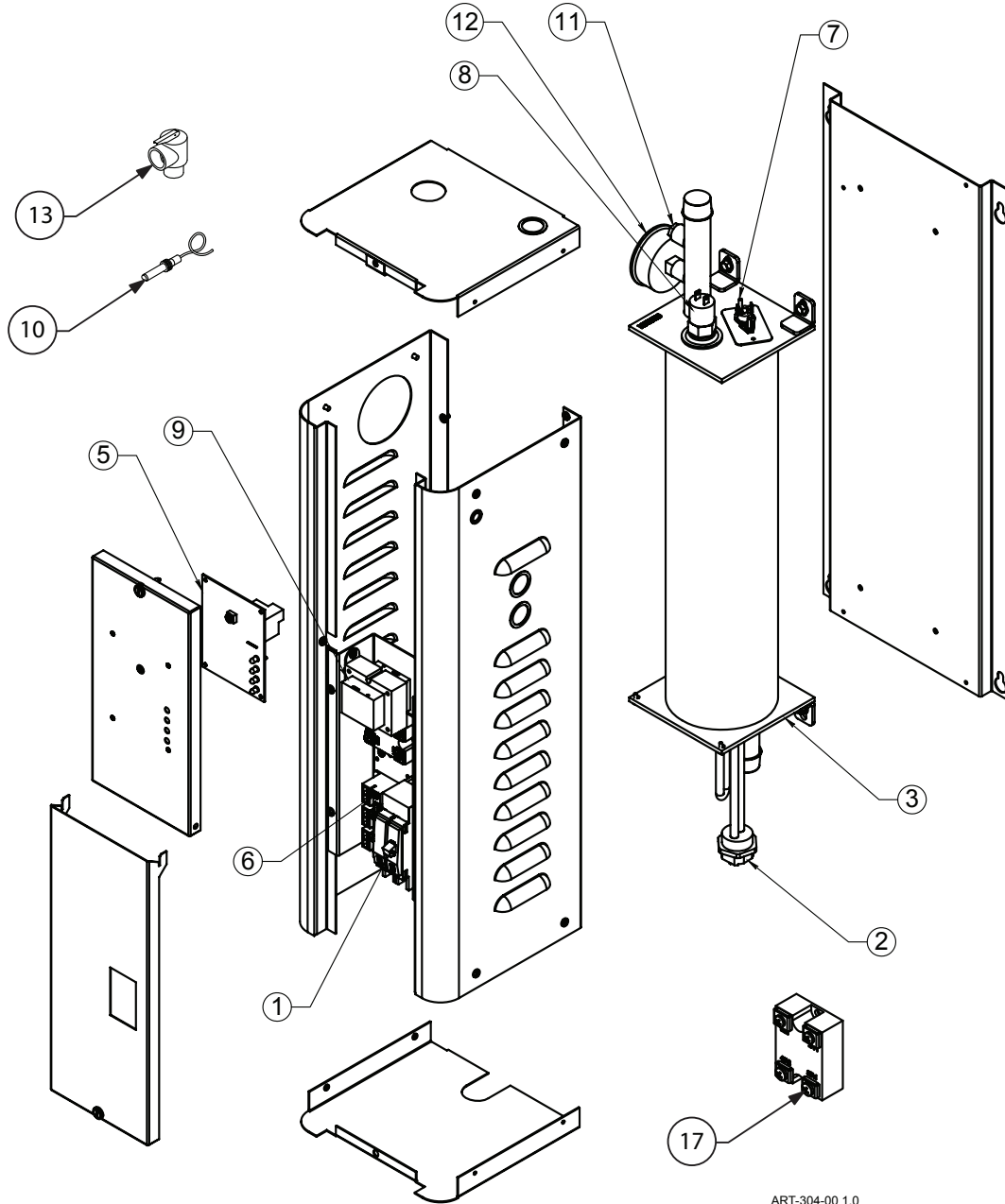


Mini-Boiler™ EMB-H-* Series



ART-304-00 1.0

Replacement Part #	Description
EMB-H-5	
1	5650 Square D 30-Amp Circuit Breaker
2	EB5520 4.5kW Element with Gasket
3	EMBHVS5 5kW Vessel Assembly
EMB-H-7	
1	5651 Square D 45-Amp Circuit Breaker
2	EB5524 2.5kW Element with Gasket – 240VAC
2	EB5520 4.5kW Element with Gasket
3	EMBHVS7 7kW Vessel Assembly
EMB-H-9	
1	5652 Square D 60-Amp Circuit Breaker
2	EB5520 4.5kW Element with Gasket
3	EMBHVS9 9kW Vessel Assembly

Replacement Part #	Description
Common Parts for the EMB-H-* Series	
5	EMBH5636 Control Board
6	5128C 30-Amp DC Relay
7	5532 205° Manual Reset Limit – Low Voltage
8	5546G 200° Auto Reset Limit
9	5541 40VA Transformer with Pigtails
10	WFS2 Supply Sensor
11	[EBTB5533 Sensor Well
12	5456A Pressure / Temperature Gauge
13	5453 30 psi Relief Valve
14	XEL7800 3/4" Pipe Elbow (<i>Not Shown</i>)
15	XNPL7300 3/4" x 2 1/2" Pipe Nipple (<i>Not Shown</i>)
16	XTEE7000 3/4" Pipe Tee (<i>Not Shown</i>)
17	4038KIT 50-Amp DC Triac Kit