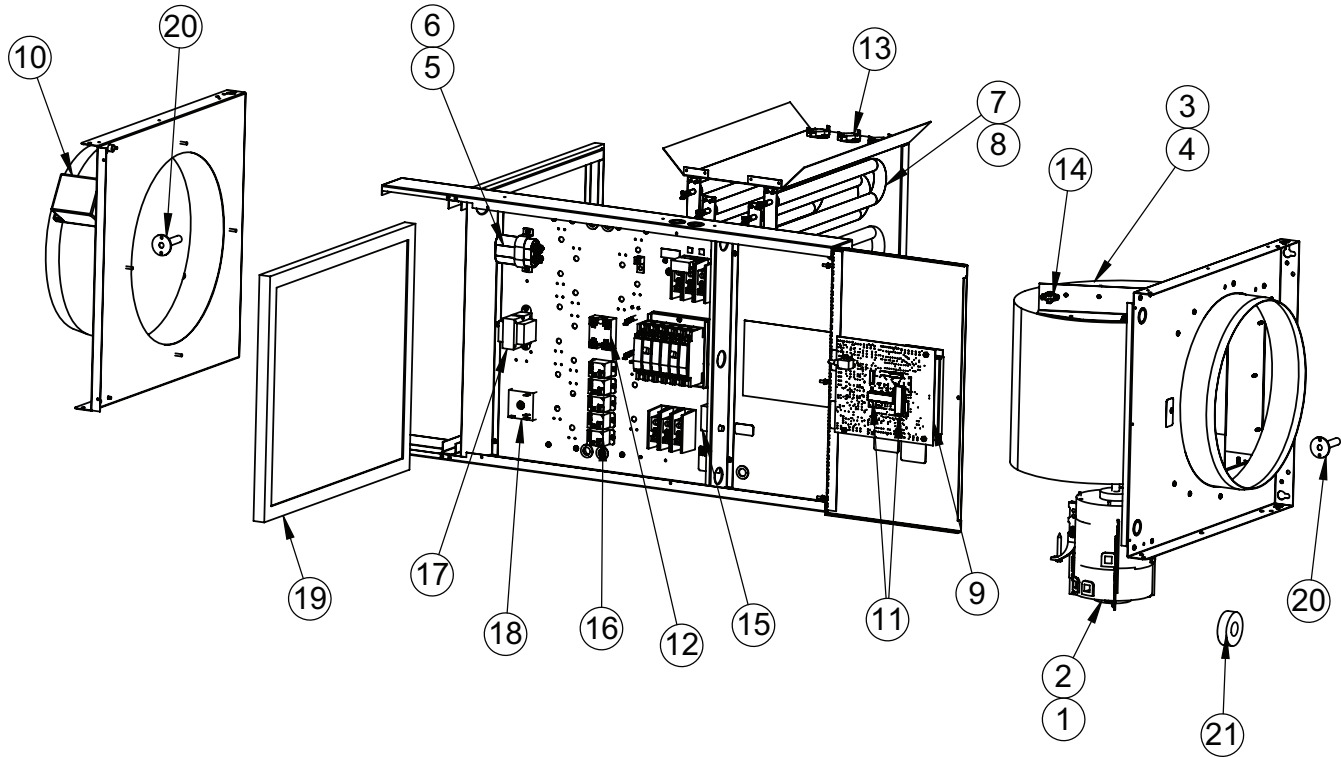


Make-Up Air II Heater

EM-ME*, EM-MF*, and EM-MG* Series



Replacement Part #	Description	
--------------------	-------------	--

EM-ME* and EM-MF*		
1	5711	Motor ¼ HP PSC 208-230V 3SPD
3	5847	Blower D Drive 9 X 4
5	5706	Cap Motor Run 5.0 MFD 370V
7	EM5620	2.5 kW Spin Fin Element 240/208V, 1-Phase
8	EM5622	2.5 kW Element 208V, 3-Phase

EM-MG*		
2	5718	Motor ½ HP PSC 208-230V 4SPD
4	5849	Blower D Drive 9 X 9
6	5707	Cap Motor Run 7.5 MFD 370V
7	EM5620	2.5 kW Spin Fin Element 240/208V, 1-Phase
8	EM5622	2.5 kW Element 208V, 3-Phase

Replacement Part #	Description	
--------------------	-------------	--

Common Parts for the EM-ME*, EM-MF*, and EM-MG*		
9	EMMUS5712	Control Board
10	5720-14	Damper Inlet 14" Motorized 24V Power O/C
11	UIC9776	Microprocessor
12	4038KIT	Triac Kit, 24VDC IN
13	5609	Limit 0-100/C-AMP@VAC
14	5610	Limit 0-99/C-85 10AMP@240VAC
15	5611	Limit 140° F Cap Reset
16	5128C	30-Amp DC Relay
17	5541	Transformer, 120/208/240:24VAC
18	9481	Phase/Motor Speed Control, 6A
19	5721-3	Replacement Filter Large 18" X 21.75"
20	EMCBW8020	Sensor Harness
21	3629	Current Transformer (CT)