

# ELECTRO-BOILER

## Commercial Series

### INSTALLATION & OPERATING INSTRUCTIONS

#### Model EB-C\* Series

LOCATE EXACT NUMBER ON NAMEPLATE, LOCATE LINE ITEM ON PAGE 1

**APPLICATION:** This Electro-Boiler is factory equipped with **WarmFlo** smart controller. **WarmFlo** automatically regulates outlet water temperature at the temperature level set on the front panel. This is a dial switch having six positions. Setting of this dial is dependent upon the model of Electro-Boiler being installed. Two possible scenarios exist:

- EB-CA-\*\*-\*\* – These models do not utilize an outdoor temperature sensor. Setting the dial is a fixed value – 90° F – 176°F.
- EB-CO-\*\*-\*\* – These models utilize an outdoor sensor, thus the boiler output target temperature will shift based on the outdoor temperature. The values listed on the front decal represent a desired output at 0° F outside.

Primary application is any hydronic water heating system where reduced flow or radiation can cause overheat conditions (example, zones). **However**, if it is a mixture of large and small zones, the sudden capacity and flow changes may cause some internal timing/overtemp conditions. With the mixture of zones the zone controller ZEA-\* option is highly **recommended** (see page 3).

This series is equipped for load management interrupt and can apply to standard baseboard radiation, dual heat combinations, under floor radiant, wood boiler supplement, etc.

**ACCESSORIES:** Attached BL001 lists various accessory or option items which are not part of basic Electro-Boiler. Also page 4 has additional information on slab stat. Page 3 gives information on a zone control update which stages elements based upon zone capacity.

**Note:** This product meets the requirements of the ASME Boiler and Pressure Vessel Code.

Drawings:    **BX503**        **BS505**  
                  **BX504**        **BS506**  
                  **BH505**        **BL001**  
                  **BH506**

Warranty:    **XX017 – Single Phase Models**  
                  **XX024 – 3-Phase Models**



**ELECTRO  
INDUSTRIES**

Monticello, Minnesota  
800.922.4138  
www.electromn.com

## TABLE OF CONTENTS

<b><u>Description</u></b>	<b><u>Page</u></b>
Table 1, Specific Model Number, Specific Information	1
Introduction	2
System or Water Flow	3
Multiple Zones & Radiant Temperatures	3
Zone Controller	3
Room Thermostat Placement	4
Multiple Boilers	4
Two-Temperature Operation or Feature	5
Installation Requirements	5
Mechanical Installation	
Under-Floor Radiant	7
Dual Heat	8
Electrical Hookup	9
Standby Boiler	10
Remote Display	10
Water Fill Procedure	10
Controller Setup	11
Operational Tips	12
Replacement Parts List	13
Troubleshooting/Repair Helps	13
WarmFlo Operational Information	15
 <b><u>Drawings:</u></b>	
Basic Mechanical and Piping	BX503, BX504
Hookup	BH505, BH506
Internal Wiring Schematic	BS505, BS506
Boiler Accessories	BL001
Warranty	XX017 – Single Phase Models XX024 – 3-Phase Models

**Table 1 – Specific Model Number, Specification Information**

Model	Voltage Rating	kW Rating	Btu/h	Amps	Disconnect CB	Source Terminals	Element Qty	Stages – kW				Flow Rate @15° ΔT	
								1	2	3	4	Min GPM	Max GPM
EB-C*-18-60	600V 3-phase	18	61,500	18	30	3	3	6	6	6		4	8
EB-C*-24-60	600V 3-phase	24	82,000	23	30	3	6	4	4	8	8	4	11
EB-C*-30-60	600V 3-phase	30	102,500	29	45	3	6	5	5	10	10	4	14
EB-C*-36-60	600V 3-phase	36	123,000	35	45	3	6	6	6	12	12	4	16
EB-C*-45-60	600V 3-phase	45	153,500	44	60	3	9	5	10	15	15	4	20
EB-C*-54-60	600V 3-phase	54	184,500	52	70	3	9	6	12	18	18	4	24
EB-C*-18-48	480V 3-phase	18	61,500	22	30	3	3	6	6	6	-	4	8
EB-C*-36-48	480V 3-phase	36	123,000	44	60	3	6	6	6	12	12	4	16
EB-C*-54-48	480V 3-phase	54	184,500	65	80	3	9	6	12	18	18	4	24
EB-C*-27-20	208V 3-phase	27	92,000	75	100	3	6	4.5	4.5	9	9	4	12
EB-C*-40-20	208V 3-phase	40.5	138,000	113	150	3	9	4.5	9	13.5	13.5	4	18
EB-C*-27-24	240V 3-phase	27	92,000	65	80	3	6	4.5	4.5	9	9	4	12
EB-C*-40-24	240V 3-phase	40.5	138,000	98	125	3	9	4.5	9	13.5	13.5	4	18
EB-C*-31	240V Single phase	31.5	107,500	131	80 + 100	2 + 2	7	9	9	9	4.5	4	14
EB-C*-36	240V Single phase	36	123,000	150	100 + 100	2 + 2	8	9	9	9	9	4	16
EB-C*-40	240V Single phase	40	136,500	167	125 + 125	2 + 2	8	10	10	10	10	4	18
EB-C*-44	240V Single phase	44	150,000	183	125 + 125	2 + 2	8	11	11	11	11	4	20

\*A = Staging O = Staging with Outdoor Reset

# INTRODUCTION

With this WarmFlo configuration, the electric heating elements are automatically controlled to establish a fixed outlet water temperature. This outlet temperature is sensed by the WarmFlo controller and is controlled by outside temperature and by setup parameters.

Even though this WarmFlo configured unit adjusts outlet temperature independent of water flow and prevents high limiting even with marginal water flow, it is still very important that the hydronic system be correctly designed for the building, the total heat loss requirement, and proper hydronics design and installation practices. This boiler is the energy **source** for the water flow and radiation system. If the water flow and radiation systems are not adequate for the Btuh heat loss of the building, installing the Electro-Boiler with WarmFlo will not necessarily supply the comfort and heating for the building.

Control and operate as a “cold boiler” concept. Do not, under any circumstances, simply jumper R and W and allow the temperature sensing controller to operate this Electro-Boiler as a “hot boiler”. Unless there is at least 4 GPM flow, the staging delays will cause temperature overshoot and could open up the manual reset limits.

In most **dual heat** installations this Electro-Boiler is plumbed in series with an existing oil, gas, or wood boiler. For gas or oil, the Electro-Boiler is generally at the gas/oil outlet; but for wood, the Electro-Boiler must be on the inlet sides. The standby boiler cannot be operated as “hot boiler”. This will defeat the Electro-Boiler. Rewire as required using EB-S-SB, standby boiler is turned on from the brown wires.

In the case of **existing** fossil fuel boiler conversions, it is assumed the expansion tank, valving, air bleeder, and circulation pump are in place, in good operating condition, and adequate for the overall system design.

In the case of **new** installation (floor radiant or baseboard), use standard hydronics water heating practices for the necessary expansion tank, air bleeder, valving, water pump, etc., sized for the total capacity of the system. The Electro-Boiler is turned on with an “R and W” closure from the zone system wiring.

The Table 1 model number identification shows the design rating and voltage source required for the specific model. If you do not use the voltage source required for the specific model, performance de-rating may need to be taken into consideration. Also damage can result if the specific model is not serviced with the voltage source shown in Table 1.

This EB-C\*-\* model series is low pressure (30 psig maximum) hydronic hot water with an operating range between 90° F and 176° F, supply temperature.

## APPROVED TUBING/PIPING

When plumbing this boiler and its peripheral parts to the loop system, all plumbing parts and/or tubing must be sealed to prevent entrance of oxygen.

**Use only tubing or polyethylene tubing with oxygen Diffusion Barrier.**

## SYSTEM OR WATER FLOW

In order to prevent hi-limiting and assure full 20+ years parts life, the piping system/basic plumbing/circulator pump must be arranged to provide flow greater than minimum GPM shown in Table 1. If zoned system, this applies when the smallest zone is operating.

**NOTE: Since this is an automatic temperature sensing system, both sensors (EBCO only) and the complete control wiring are required before using or turning on this Electro-Boiler.**

## MULTIPLE ZONES AND RADIANT TEMPERATURES

**Same water temperature all zones** – in this case the system can be setup as one pump with the water circulated through the boiler and directly to a manifold containing the various zone valves. Although this model series has a built-in outlet sensing and controller mechanism for staging the elements, also consider the next section, Zone Controller. If not using zone controller, the end switches of all of the zone valves are paralleled and directly control R and W to turn on the boiler.

**Various water temperature requirements** – if this is the case, a primary loop with mixing valve for the various zone temperature requirements is necessary. Injection pump techniques can also be used. However, usually injection pump techniques come with a controller which is designed to protect a gas boiler from cool water return. This is simply not needed and a duplication with the temp. sensing controller within this Electro-boiler and the injection pump controller will be of no benefit within the operating system. The zone valve/zone pump control strategy must be wired to provide the boiler “R and W” contact closure and the primary pump is connected to the boiler pump contacts. This assures the primary pump is active and running whenever the boiler is turned on via contact closure on “R and W”. At least one zone must be open before turning on the primary pump/Electro-Boiler. Do not design a system where the Electro-Boiler is supposed to operate as a “hot boiler” based upon its outlet sensor without the primary pump circulating water, minimum 4 GPM is required.

**New, improved feature** – the EB-ZEA-\* or EB-Z2P zone controller priority zone now has the ability to communicate with this TS Series boiler and it will automatically switch to a low mass high water temperature (150 or 180) during zone 1, priority switch on, operation. With this feature the TS boiler can automatically take care of two temperature requirements thus eliminating the need for the technique described in the paragraph above.

## ZONE CONTROLLER

This EB-C series boiler controls the electric elements based upon water temperature independent of flow; therefore, in theory, a staging zone controller is not required; however, there are three suggestions or reasons why a zone controller can simplify the installation and enhance overall performance.



1. **Zone wiring and troubleshooting convenience** – the addition of the zone board allows for easy terminal block and point to point wiring for each zone thermostat and each zone valve. Also there are LED's associated with the thermostat action and the zone valve action. This greatly simplifies wiring and future troubleshooting with a neat terminal block wiring arrangement and the onboard LED's.
2. **Prevents over control or false staging up and down when the temperature sensors are attempting to regulate** – since Electro Industries' zone controller also has staging “smarts”, the addition of the zone controller will provide smoother boiler temperature control. The zone board has a dial switch for each zone and the installer selects one of four zone capacity sizes. When dialing in the size closest to the zone

Btu/h capacity, the zone controller “smarts” only allows the appropriate boiler stage which can handle that capacity. Also this is additive if more than one zone calls at any one time – order EB-ZEA-1.

3. **Two temperature system with unbalanced zones** – if the application includes zone one requiring high temperature (fin tube, air handler, etc.) and the remaining zones are radiant floor low temperature, this zone controller (EB-ZEA-1) will automatically raise the output of the high temperature zone. This is a priority arrangement, zone 1 holds off the other zones while the high temperature output is heating. If at the end of the high temperature zone there is a call on any of the low temperature zones (up to three plus slave 4), there will be a pump only function until the outlet temperature drops below the front panel dial setting.

## ROOM THERMOSTAT PLACEMENT

**Fin tube radiation, fan coil, etc.** – heat only wall t-stat, connected to operate zone valves (see previous section) or for single zone the t-stat is connected directly to Electro-Boiler R and W.

**Floor radiant** – comfort and proper space heating response is a direct relationship to the thermostat type and the placement of the thermostat sensing bulb. Typically an under floor heating system can be broken down into three categories.

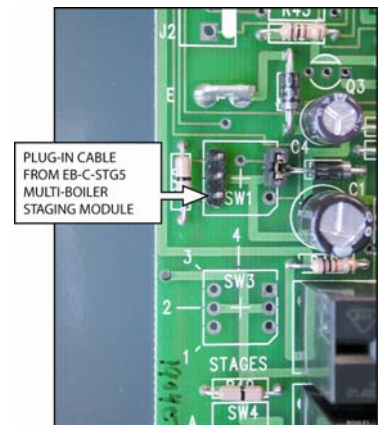
- A. Energy storage, water tubing is under the concrete or within the sand base** – the controlling thermostat must have a remote bulb, and this remote bulb must sense the concrete slab temperature (slab stat). Coordinated with the concrete pour, install a ¾” PVC, minimum bend radius of 7 inches, and locate at approximately center (vertical) of the concrete slab. The thermostat sensing bulb can later be pushed down this PVC conduit. If the slab is already poured without conduit for slab stat, use electronic remote sensing thermostat such as Electro Industries’ **ES-24-BR**. These devices only require a ¼” hole drilled in the floor at some convenient location (preferably off a center wall, not within 2 feet of outside wall).
- B. Floor covering, medium to high insulation** – use slab stat as described in paragraph A above.
- C. Quick response, hydronic tubing just under the concrete surface, no flooring material over the concrete** – in this case, heated water can directly radiate into the room, a standard wall mount room thermostat is adequate. Mount room thermostat on an inside wall similar to most heating systems.



## MULTIPLE BOILERS

This boiler series now includes a method for automatically staging any number of parallel-plumbed boilers. Order plug-in relay EB-C-STG5.

The thermostat is connected only to the first boiler, when all stages are on for more than 5 minutes, this new plug-in relay module turns on the next boiler (R and W), and a second EB-C-STG5 could be used to turn on the third, etc. (reference BH507).



## TWO-TEMPERATURE OPERATION OR FEATURE

When using Electro's zone controller in priority mode, the boiler system can automatically raise the outlet temperature with zone 1 calling. This is setup for default of 150° or pulling a jumper peg the high temperature value is 176°. See appropriate zone controller installation manual for details.

## INFORMATION/WATER FLOW CALCULATIONS

Water flow, GPM, can easily be calculated if the temperature rise across the electric boiler can be measured.

The formula below can only be used when the temperature rise is stable and the boiler is not hi-limiting. In other words, verify constant current draw and stable outlet temperatures for at least 15 minutes.

GPM – 1-Phase:

$$\text{GPM} = \frac{\text{Volts} \times \text{Amps} \times 3.414}{500 \times \text{Temp. rise}}$$

GPM – 3-Phase:

$$\text{GPM} = \frac{\text{Volts} \times \text{Amps} \times 1.732 \times 3.414}{500 \times \text{Temp. rise}}$$

## INSTALLATION REQUIREMENTS

1. All installation work must be performed by trained, qualified contractors or technicians. Electro Industries, Inc., sponsors installation and service schools to assist the installer. **Visit our web site at [electromn.com](http://electromn.com) for upcoming service schools.**

### WARNING

ALL ELECTRICAL WIRING MUST BE IN ACCORDANCE WITH NATIONAL ELECTRIC CODE AND LOCAL ELECTRIC CODES, ORDINANCES, AND REGULATIONS.

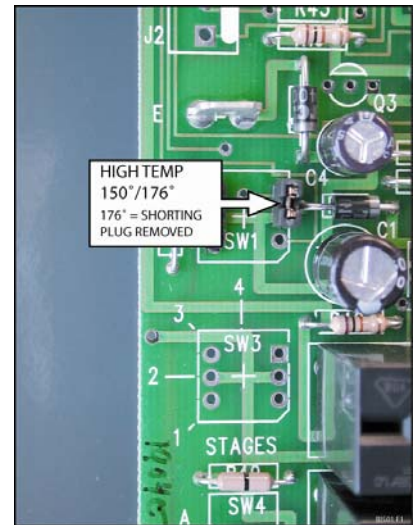
### WARNING

OBSERVE ELECTRIC POLARITY AND WIRING COLORS. FAILURE TO OBSERVE COULD CAUSE ELECTRIC SHOCK AND/OR DAMAGE TO THE EQUIPMENT.

### CAUTION

This unit can only be used for its intended design as described in this manual. Any internal wiring changes, modifications to the circuit board, modifications or bypass of any controls, or installation practices not according to the details of this manual will void the product warranty, the CSA/us certification label, and manufacturer product liability. Electro Industries, Inc., cannot be held responsible for field modifications, incorrect installations, and conditions which may bypass or compromise the built-in safety features and controls.

2. This installation manual and Electro-Boiler products relate only to the addition of the Electro-Boiler to the hydronics system. The owner/ installer assumes all responsibility and/or liability associated with any needed installation of the gas/oil boiler, pump, plumbing, system design, hydronics systems or backup gas/oil boiler, etc. Any instructions or comments made within this manual (or factory phone assistance) relating to the gas/oil furnace are provided as comments of assistance and "helps" only.



## CAUTION

Hazards or unsafe practices could result in property damage, product damage, severe personal injury and/or death.

- Remember, safety is the installer's responsibility and the installer must know this product well enough to instruct the end user on its safe use.

Safety is a matter of common sense - - a matter of thinking before acting. Professional installers have training and experienced practices for handling electrical, sheet metal, and material handling processes. Use them.

### CLEARANCES

	MINIMUM CLEARANCE FROM COMBUSTIBLE SURFACES		SUGGESTED MINIMUM SERVICE CLEARANCE	
BACK	0 INCH	0 MM	0 INCH	0 MM
LEFT	1 INCH	25 MM	16 INCHES	406 MM
RIGHT	1 INCH	25 MM	6 INCHES	152 MM
FRONT	1 INCH	25 MM	24 INCHES	610 MM
TOP	1 INCH	25 MM	24 INCHES	610 MM
BOTTOM	REQUIRED CLEARANCE – 16 INCHES/406 MM			



## MECHANICAL INSTALLATION – UNDER-FLOOR RADIATION

### CAUTION

Electro Industries Inc. requires the use of dielectric isolation between the boiler vessel supply and return piping when the boiler is plumbed using copper or any other dissimilar metal. Damage to the vessel caused by galvanic corrosion voids Electro Industries' warranty.

Reference drawing BX503

1. With the typical radiant floor system, a dual heat backup boiler is uncommon. If a backup boiler is required, please reference “Mechanical Installation – Dual Heat” section.
2. Unpack the Electro-Boiler, the safety relief and pipe fittings are packed within a small carton. The safety relief is plumbed to the ¾” pipe as shown on BX503 (or may be part of other components shown on BX503).
3. The Electro-Boiler must be positioned with the vessel **vertical**. The water IN/OUT ports must be at the top. The unit will not function properly with the vessel in a horizontal position.  
**NOTE:** Mount at least 20 inches above the floor to allow element removal and service at the bottom.
4. The plumbing components and plumbing layout shown on drawing BX503 have been very carefully chosen and should be plumbed as shown. When following this diagram, the water fill procedure becomes very simple and almost guarantees the removal of all air or prevents air locking problems. Experienced hydronic heating installers may be able to eliminate some components but the inclusion of these components guarantees installation and initial operating success.
5. The vessel is factory constructed with an “air trap” chamber at the top of the vessel, connected to the ¾” pipe and arrangement shown on BX503.
6. The key mechanical components required include:
  - **Expansion Tank** – as a closed loop hydronic heating system, a minimal expansion tank is required. This can be an air diaphragm tank as provided in the plumbing kit or a basic “empty” tank where air is compressed at the tank top.
  - **Inlet Temperature Gauge** – recommended to observe the operation of the system.
  - **Air Vent** – install with the pressure relief valve as shown on drawing BX503.
  - **Inline Air separator** – this can be installed ahead of the pump with the expansion tank moved to this point. However, the vessel designed air trap and the piping arrangement leading to the air bleeder works very well.
  - **Pressure Safety Valve** – this is required and is furnished as a **loose** component with the boiler unit itself. Failure to install the provided, 30 PSI, pressure relief valve as shown void warranty and the product listing. During purging there is a requirement to bleed out the initial air within this ¾” pipe leg by manually holding open the relief valve. Add the necessary pipe extension to the relief valve to prevent water damage on this unit or surrounding area.
  - **Gate Valve/Drain Valve** – these are for servicing and easy fill purposes.
  - **Circulating Pump** – depending upon system lift and system loop resistance, the proper circulating pump is required to guarantee the minimum GPM flow as specified in Table I, page 1.

· Comment: Circulator pump can be in the outlet or inlet. Newer, higher quality pumps seem to work better in the “supply” line.
7. To ensure safe boiler operation adequate system pressure must be maintained. Some expansion tanks may have an integral regulator and “port” for water source hookup.
8. Depending upon water conditions, determine whether water additives are necessary.
9. Purge and fill water system. Do not allow the electric element to come on until the system is purged and you have verified proper water circulation. If the pump is needed, jumper the two orange wires in order to operate the pump directly from its own 120 volt source.
10. Purge each loop individually, one at a time.
11. Check for leaks.

## MECHANICAL INSTALLATION – DUAL HEAT

### CAUTION

Electro Industries Inc. requires the use of dielectric isolation between the boiler vessel supply and return piping when the boiler is plumbed using copper or any other dissimilar metal. Damage to the vessel caused by galvanic corrosion voids Electro Industries' warranty.

Reference drawing BX504

1. Unpack the Electro-Boiler. The safety relief and pipe fittings are packed within a small carton.
2. In most **dual heat** installations this Electro-Boiler is plumbed in series with an existing oil, gas, or wood boiler. For gas or oil, the Electro-Boiler is at the gas/oil outlet; but for wood, the Electro-Boiler must be on the inlet sides. The standby boiler cannot be operated as “hot boiler”. This will defeat the Electro-Boiler. Rewire using EB-S-SB as required, standby boiler is turned on from the brown wires.
3. Standard hydronic hot water heating practices apply. This procedure assumes adequate piping size to meet the flow requirements of the specific boiler model, expansion tank, pump, zones, etc. are properly designed and installed.

4. The Electro-Boiler must be positioned with the vessel **vertical**. The water IN/OUT ports must be at the top. The unit will not function properly with the vessel in a horizontal position.

**NOTE:** Mount at least 20 inches above the floor to allow element removal and service at the bottom.

5. Typically this unit is wall hung next to the existing boiler.
6. Use the ¾” pipe fittings to install the safety relief valve and air vent. Add the necessary piping to the safety relief valve so that water damages do not occur in the surrounding area.
7. Connect the “hot” water line from the fossil fuel boiler to the Electro-Boiler "inlet". Connect the Electro-Boiler "outlet" to the main feed line. When facing the Electro-Boiler vessel, the "outlet" is on the LEFT.

**NOTE:** Wood applications, plumb so electric feeds the wood boilers.

10. If piping contains any "U" bend, an air vent may be required at the top.
11. When possible, isolating ball valves are recommended for easy servicing.
12. To ensure safe boiler operation and prevent element damage, the system should contain a pressure regulator and an automatic water fill valve. Expansion tank may have an integral regulator and “port” for water source hookup.
13. Depending upon water conditions, determine whether water additives are necessary.
14. Purge and fill water system. Do not allow the electric element to come on until the system is purged and you have verified proper water circulation. If the pump is needed, short out the two orange wires in order to operate the pump directly from its own 120 volt source.
15. Check for leaks.

## ELECTRICAL HOOKUP

1. **Heating Power Source** – using model number on nameplate, locate line item on Table 1, page 1. This supplies the necessary wiring information. National Electric Code and local codes will determine the type and size of wire between this unit’s CB disconnect screws and the distribution panel connection. The “Amps” column represents continuous running current, does not represent the wiring or disconnect amps.
  - Only copper wire is allowed inside Electro Industries’ enclosure.
  - The model associated with the design voltage rating has the proper 24-volt transformer. If installing in any other voltage rating, 24-volt transformer may need to be replaced or resized.

208/480/600 3-phase use drawing BH505.

240 single phase use drawing BH506.

- If single feed to the dual multi-breaker models, single feed bus EM-5716 or EM-5717 may apply.
2. **Grounding** – copper conductor is required, size per NEC code relating to the current of each feed.
  3. **Circulating Pump** – the terminal block (orange wires) below the circuit breakers represents a switch closure (10-amp maximum) to operate an external circulating pump motor. **Voltage for the pump must come from a separate source.**
    - The pump is controlled as a direct function of the R and W input.
    - If this is connected with a standby boiler, generally the assumption is series plumbing with the single pump. In this case, the R and W function will operate the pump whether in electric or standby mode.
    - If a standby boiler installation has parallel plumbing with two pumps, field wiring and controls will be necessary to properly operate (and typically check valve isolate) the standby boiler self-contained pump from the system pump controlled by these two terminal screws.

**Note:** If using zone pumps, this function and connection is not used.
  4. **Operating Thermostat** – two types can be used. Connection is at the control board bottom.
    - **Standard Mechanical** – connect to “R” and “W”, bottom right. Set thermostat internal heat anticipator to 0.2.
    - **Electro-Stat** – (ES-24-BR) 3 wire connection required.
      - R to R, W to W, C to common
      - The Electro-Stat remote sensor can be extended as required. This is a three wire cable, cut and splice, up to 50 feet. Use only stranded wire, shielded cable is not required.

**Comment:** If zone valve or zone pumps see appropriate sections.

5. **Load Management Interrupt Control** – this Electro-Boiler series has been pre-wired and designed for an external utility load management receiver connection. The control board lower left BLU and BLU/WHT wires represent the two contact points, extend these wires to the utility load control device.

As shipped, this unit is only equipped for off-peak = N.C. logic. If reversed logic is required, contact the factory for modification.

- Optional – if load management is not used, simply keep the two blue wires shorted.
  - Optional – if the power company disconnects 240V for load control, please reference BH029 for special wiring requirements.
6. **Outdoor Sensor (OT)** – only applies with EB-CO Series. If possible shade from direct sun rays.
  7. **Zone Valves or Zone Pumps** – see page 3 for zone controller options.

**WARNING:** The end switches from the zone valves **must be** an isolated contact with no voltage present on these wires or screw terminals. This is very important to make sure there isn’t any

interference or feedback between the transformer operating the zone valve system and the transformer within this Electro-Boiler product. Once this has been determined, all end switches are simply paralleled with the two wires going to “R” and “W”.

8. If this is a **dual heat** application with **standby boiler**, the 2 brown wires from the EB-S-SB connect to the standby boiler R and W or T and T. These 2 brown wires represent a contact closure to activate the standby boiler during load control or when the front panel switch is in the “standby” position.
9. **Remote Display** – an optional remote display (4-wire stat cable) can be added, call factory for details.

## WATER ADDITIVES

1. Unless the source water is unusually poor and/or rust elements, additives are not required. It is recommended the water source comes through a water softener or use distilled water.
2. Impurities within a closed loop hydronics boiler are considerably less damaging than the typical domestic water heater. In a closed loop electric boiler, the water impurities “boil out” and the system essentially makes its own pure water. As a closed system, this “pure water” becomes the operating mode. In the case of domestic water tank, there is always new water entering with new impurities.
3. However, if additives are required, use the recommendations and source from your local professional plumber, specializing in hydronics heating systems.

## WATER FILL PROCEDURE

The following procedure applies to non-glycol or antifreeze.

**Caution:** If the building supply pressure is connected directly to supply water ball valve without pressure reducing regulator, user needs to make sure the pressure within the boiler loop does not exceed 30 PSI. Careful control of the supply water ball valve opening can take care of this. Also at steps 6 and 10, use caution to make sure the building water supply pressure does not “spike” the system.

1. Connect the temporary water supply source (probably hose connection) to the "water supply connection" input.  
**NOTE:** If water supply connection is permanent, some local building codes may require special anti-siphon check valve, RPZ check valve, or equivalent between the boiler fill regulator and the domestic water source or the city water connection.
2. Connect a drain hose to hose bib, "drain valve".
3. **Open** "drain valve" and **close** "inlet gate valve" (between drain valve and boiler inlet).
4. Verify “top gate valve” is **open**.
5. Do not apply 240 heating power during water fill sequence.
6. **Open** “water supply valve” and **open** household water supply source.
7. Allow system to circulate, discharging through drain valve, for at least 15 minutes.
8. Put your ear against the metal pipe and listen for air bubbles. If the water flow is consistent and quiet, the system is probably purged and water filled.
9. **Close** the "drain valve". **Open** the "inlet gate valve".
10. The cold system pressure at the gauge should be approximately 10 to 14 PSI.
11. **Close** “water supply valve” and disconnect water supply.

12. Optional – energize circulating pump during this fill operation. The water pressure from the household system and as plumbed should typically flow through the circulating pump without the pump running.

**COMMENT:** Purge one loop at a time.

## CONTROLLER SETUP

**Red dial switch, front panel –**

**EB-CA Series** – simply set the “knob” to the desired outlet temperature shown here and on the front panel decal.

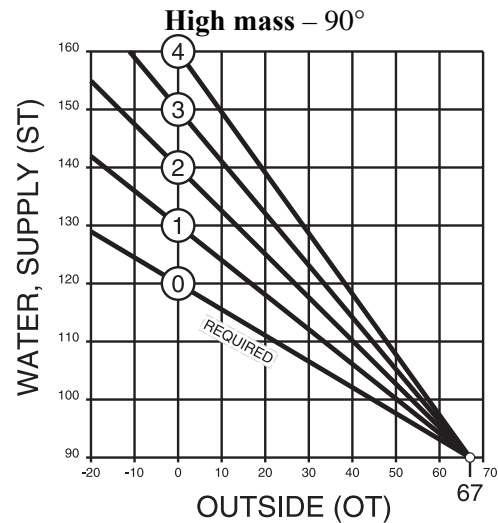
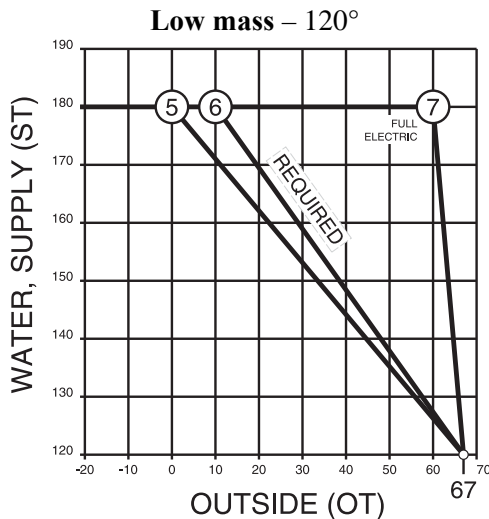
**EB-CO Series** – the temperature decal will relate to the OT 0° set point and the “knob” numbers coincide with the curves below. High and low mass also relate to the ramp-up water temperature starting point, as shown. Select the high or low mass with the rate of temperature rise based on outdoor temp (OT). **Comment:** The WF-ANZ\* test set allows field change of the base temperature start point.

### Temperature Dial Settings

Dial#	Mass	Set Point
0	High	90°
1	High	102°
2	High	114°
3	High	126°
4	High	138°
5	Low	144°
6	Low	160°
7	Low	176°

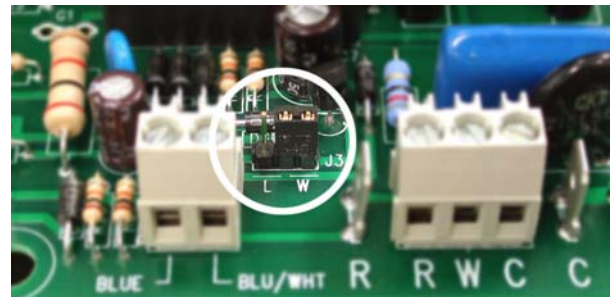
UA1838 D

The front panel temperature selection number coincides to the curves below. This temperature value shown on the front decal is actually the supply water at 0° outside.



**Circulator pump mode** – as factory set, the circulator pump is controlled directly from the “W” input terminal. In this setup the circulator pump continues during load control interrupt (or optional remote standby switch). There is a provision within the controller board (inside) to allow the circulator pump to not operate during load control interrupt.

On the inside control board, just above the two bottom terminal blocks, is a small pin jumper arrangement. The black “device” sets up the pump mode. Just below this pin jumper arrangement are W and L lettering. When the two pin shorting device is in the W position, the pump is a direct function of R to W input. When the two pin jumper is in the L position, the pump is interrupted during a load control.



**WARNING:** This shorting device must be in one of the two positions for the circulator pump to properly operate.

## OPERATIONAL TIPS

### Monitor Lights, Front Panel

- HI-LIMIT, red – this will **only** illuminate when the vessel hi-limit opens due to excessive high water temperature. This hi-limit is self resetting.
- PWR ON, green – basically this is illuminated at all times. It represents 24-volt power source, good fuse, controller logic is operational, and a good outlet sensor. If the outlet sensor is inoperative, incorrectly wired, or malfunctioning; this green monitor LED should be in the blinking or pulsing mode (see page 11).
- EL MODE, amber – when illuminated the system is in the electric mode. If it is not illuminated the utility load control receiver is in the interrupt or on-peak mode. If there is an optional or remote standby switch, the status of the standby switch is also monitored by this amber LED.
- HEAT ON, red – indicates a remote switch closure (t-stat or zoning end switch) is closed between terminals R and W.

### Inside Controller Board

- STAGES, red – these four LED's indicate which electric element stages are on and active.

### Manual Reset, Hi-Limit

At the top of the vessel there are surface mount hi-limits preset at 205° F. There is no light indicator associated with these safety hi-limits. Reset involves locating a small shiny lever or metal tab protruding on the side of the black safety limit base. This small tab is pressed inward approximately 1/8" to "snap in" the contacts.

**Safety caution** – the wires and screws have high voltage potential and can be dangerous. Turn off circuit breakers before investigating or attempting to reset the 205° F safety limits.

### Internal Fuse

The fuse on the controller board protects the transformer secondary, external items connected to "R", and the circuit board itself. Replace with 2-amp fast blow, AGC2 or equivalent.

**Stat Heat Anticipator** - If it is a mechanical stat, verify heat anticipator has been set at Ø.2 (non-zone system).

### System Pressure

The side press/temp. gauge should be at approximately 10 to 16 PSI at room temperature water and should not rise more than approximately 4 PSI at the operating or hot water temperature. If the pressure change is more than approximately 4 PSI, the expansion tank is too small or there is a problem with the expansion tank piping, expansion tank itself.

**Cold slab, outdoor reset and temperature sensing prevent full boiler on** – by adding a **temporary** jumper between the lower W screw terminal and the upper left "E" tab, all temperature sensing functions are bypassed and the control board will step in all the stages. **Caution:** This jumper shall not be a permanent function, jumper needs to be removed after slab is approaching normal temperature.

## Replacement Parts

WFSB	Water sensor, 3 ft.
WFS25F	Outdoor sensor (OT)
EB5623CA	Controller, ST sensing only
EB5623CO	Controller, ST and OT sensing
UFUSE0440	2-amp fuse, fast blow (AGC2)
5127	Control relay, 1 pole
5535	Safety hi-limit, manual, 205°
5537	First hi-limit, auto-reset, 190°
5453	Relief valve, 30 PSIG
5456	Gauge press/temp.
EB5520	Electric element, 240, 4.5 kW
5541	Transformer 208/240V primary, 24V, 40VA
5542	Transformer 480V primary, 24V, 50VA
5543	Transformer, 600V primary, 24V, 50VA
5527	Heating relay, 3 pole DP
5528	Heating relay, 1 pole DP
5126	Heating relay, 2 pole DP
5661	30-amp 480V 3 pole circuit breaker
5662	60-amp 480V 3 pole circuit breaker
5663	80-amp 480V 3 pole circuit breaker
5658	100-amp 3 pole circuit breaker
5659	125-amp 3 pole circuit breaker
5660	150-amp 3 pole circuit breaker
5657	80-amp 3 pole circuit breaker
5653	80-amp 2 pole circuit breaker
5643S	100-amp 2 pole circuit breaker
5655	50-amp 3 pole 3 phase circuit breaker
5664	70-amp 3 pole 3 phase circuit breaker
5665	45-amp 3 pole 3 phase circuit breaker
EB5508-06	Electric element 600, 6 kW
EB5508-04	Electric element 600, 4 kW
EB5508-05	Electric element 600, 5 kW
EB5520	Electric element 240, 4.5 kW
EB5521	Electric element 208, 4.5 kW
EB5522	Electric element 240, 5.5 kW
EB5524	Electric element 240, 2.5 kW
EB5525	Electric element 480, 6 kW
EB5526	Electric element 240, 5 kW

## TROUBLESHOOTING/REPAIR HELPS

1. This WarmFlo controller contains several interference suppression components, but as an electronic logic product, unpredictable and unusual transients or interference may sometimes cause strange results. If the WarmFlo controller is “acting strange”, one immediate step would be power down reset. Simply turn off boiler power or breaker number 1, when the green LED goes out, count to 10, and re-energize power supply.
2. Inoperative temperature sensor, if the internal program can detect a bad sensor (shorted, open wire, etc. – not necessarily bad value) the front panel green LED will be pulsing. By checking the pulsing pattern, the appropriate sensor can be identified.
  - OT sensor – 100 ms blink every second
  - ST sensor – two, 100 ms blinks every second
  - Both bad – ½ second on, ½ second off, alternating
3. The temperature sensor can be further evaluated with diagnostic program from standard PC or Palm software. This includes the ability to “fool” the sensor or set in an offset for various troubleshooting purposes. This software disk comes with a special cable needed for PC or Palm hookup.

- ET-SOFT-TS – PC software disk and cable
  - ET-SOFT-TSP – Palm software disk and cable
4. The terminal blocks for control wire hook-up are designed for a wire insertion and screw clamp down. If there is no wire connected and the screw is loose, the screw may not necessarily make a good electrical contact to the inside components. Example - If you are jumpering the thermostat terminals without thermostat wire connection or if you are attempting to measure voltage on the screw head, you may get erroneous or unpredictable results if the screw is not tightened down.
  5. The outdoor sensor (OT) must be sensing the actual outside temperature for this controller to correctly operate. Do not simply leave the outdoor sensor “hang in the room” and attempt to run this system (EB-CO Series boiler only).
  6. Temperature sensing bypass – the inside control board, left side, contains a “E” tab which can be used to directly step in the heating stages and in essence bypass the temperature sensing and control functions. The “E” tab has the highest priority and overrides all temperature sensor functions. In other words, when jumpering from W to E all four stages are hard on. **Note:** Verify pump is operating prior to using the E terminal. Since activating this E terminal causes full electric element output, this function should only be used to verify all stages or troubleshoot proper 24Ø current at each element.
  7. Use general heating system logic information and basic understanding of the terminal block wiring functions measure various voltage points to determine proper operation.
  8. Acquiring the PC software or Palm with serial port hookup cable is a positive tool for understanding and troubleshooting the WarmFlo controller. Either test set device can display all temperatures, real time evaluation of WarmFlo functions and provide temperature offsets for assimilating winter conditions.

**Sensor Temperature Calibration** - Both remote sensors are digital electronic and factory calibrated. Normally these do not require field calibration or verification. However, if sensor temperature error is determined, there are two field calibration techniques. Proceed with extreme caution.

1. The outdoor sensor (OT) can be calibrated with ice (32°F). This is not a checking temperature situation. If you proceed with this function, the sensor automatically goes to 32°F. Notice a small push button next to the sensor terminal block, with the sensor at 32°F, push and hold for approximately ten seconds. When the green LED next to the fuse “blinks” at you, release and now the outdoor sensor is set at 32°F.
2. Use PC or Palm software to calibrate sensor. See other paragraphs.



## OPERATIONAL INFORMATION

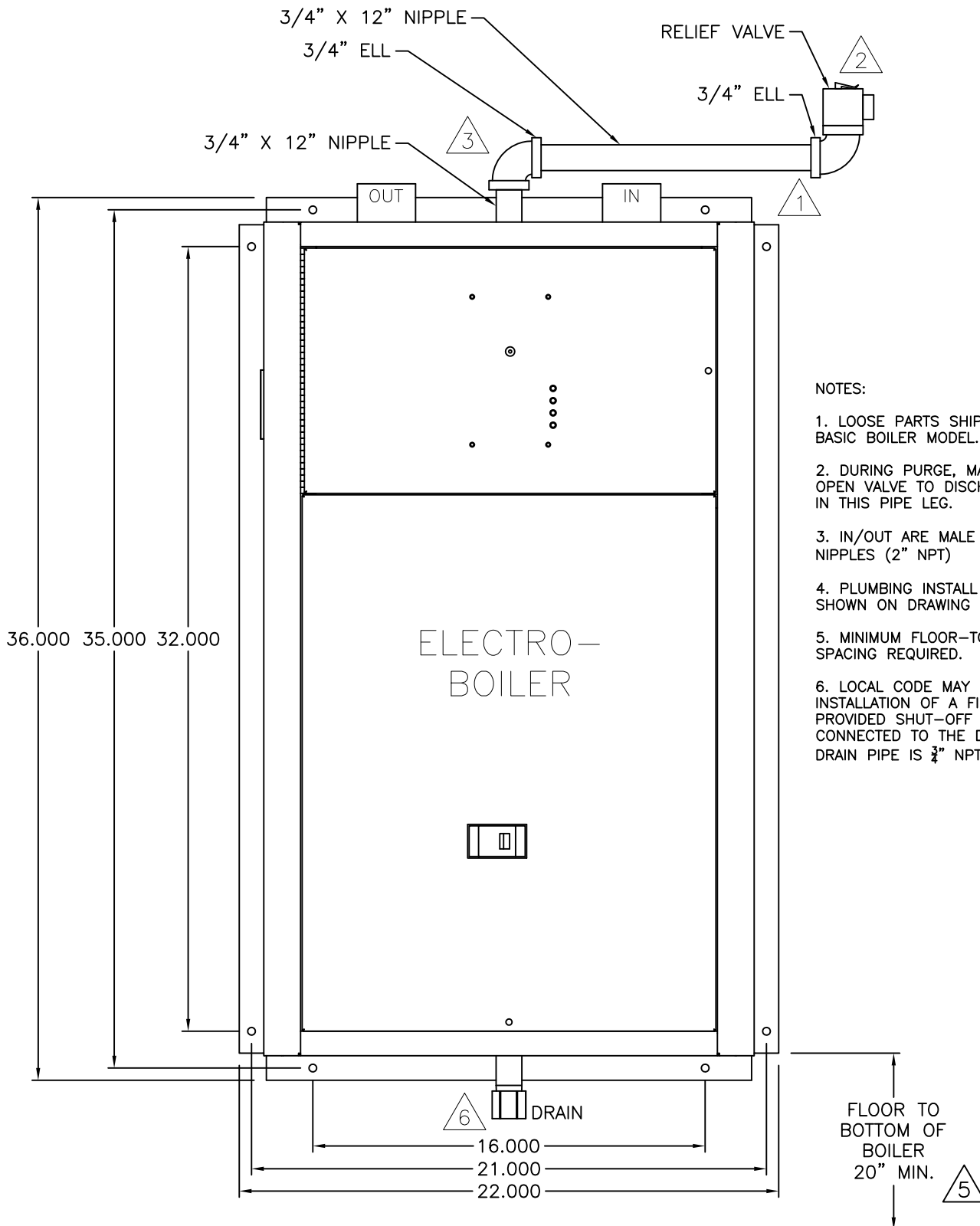
In order for the installer to completely understand the WF II functions and operational sequence it is recommended to thoroughly read and understand the information below. This knowledge can help in determining settings that can be set according to the end customers needs.

**Warning, field reprogramming** – within WarmFlo II internal logic and non-volatile memory, it can detect whether it is operating from one of the above factory pre-programmed chips or if it has been modified (reprogrammed) with PC software or Handheld. Once the user or field technician has downloaded (save), from that time forward the WarmFlo II physical control board is no longer governed by the above table, or the chip code written on the plug-in chip, etc. In other words, power up/power down, reset, or removing and re-plugging the chip does not affect any altered reprogrammed functions. It is smart enough to know it is no longer the original chip and that **specific physical** board, from this time forward, must be under the control of the PC software/Palm.

**Delay, transfer from standby to electric** – if the unit was operating in SB for more than 1 minute, the follow-up transfer back to electric engages a 2-minute delay before any of the electric stages are activated. The pump will react to the call for heat, but the elements will stay off for 2 minutes in order for the pump to cool down the standby boiler vessel.

**Staging disables at specified outdoor temperatures** – the factory setup allows all four stages to come on at outdoor temperatures below 120° F. Using download reprogramming, an outdoor temperature can be set for each stage allowing the disable of specific stages above the preset temperature.

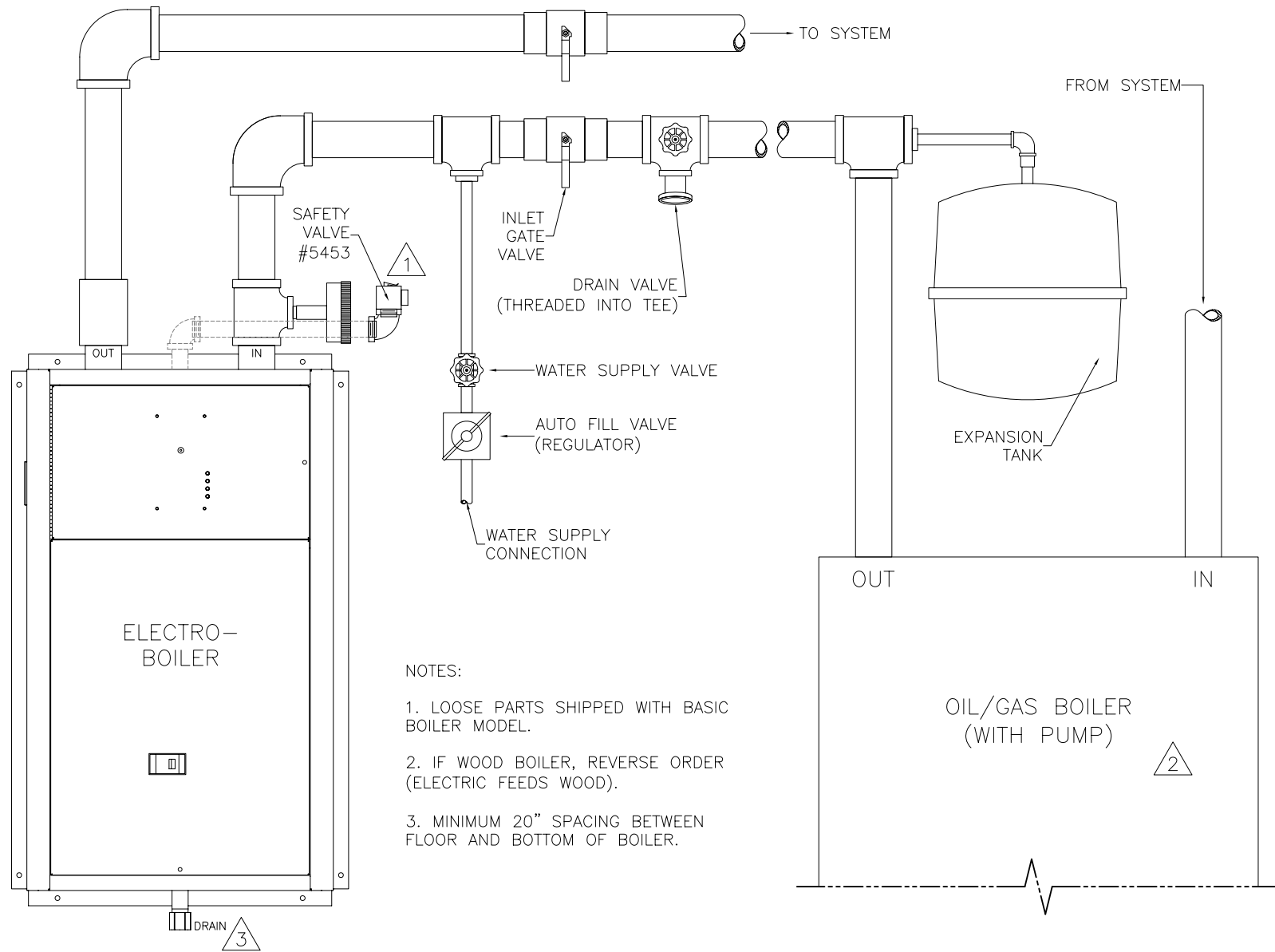
# BASIC MECHANICAL PIPING DIAGRAM - EB-C\*-\*\*-\*\*



**NOTES:**

1. LOOSE PARTS SHIPPED WITH BASIC BOILER MODEL.
2. DURING PURGE, MANUALLY OPEN VALVE TO DISCHARGE AIR IN THIS PIPE LEG.
3. IN/OUT ARE MALE 2" PIPE NIPPLES (2" NPT)
4. PLUMBING INSTALL KITS ARE SHOWN ON DRAWING BX504.
5. MINIMUM FLOOR-TO-BOILER SPACING REQUIRED.
6. LOCAL CODE MAY REQUIRE INSTALLATION OF A FIELD PROVIDED SHUT-OFF VALVE CONNECTED TO THE DRAIN PIPE. DRAIN PIPE IS 3/4" NPT.

# ELECTRO-BOILER DUAL HEAT PIPING DIAGRAM

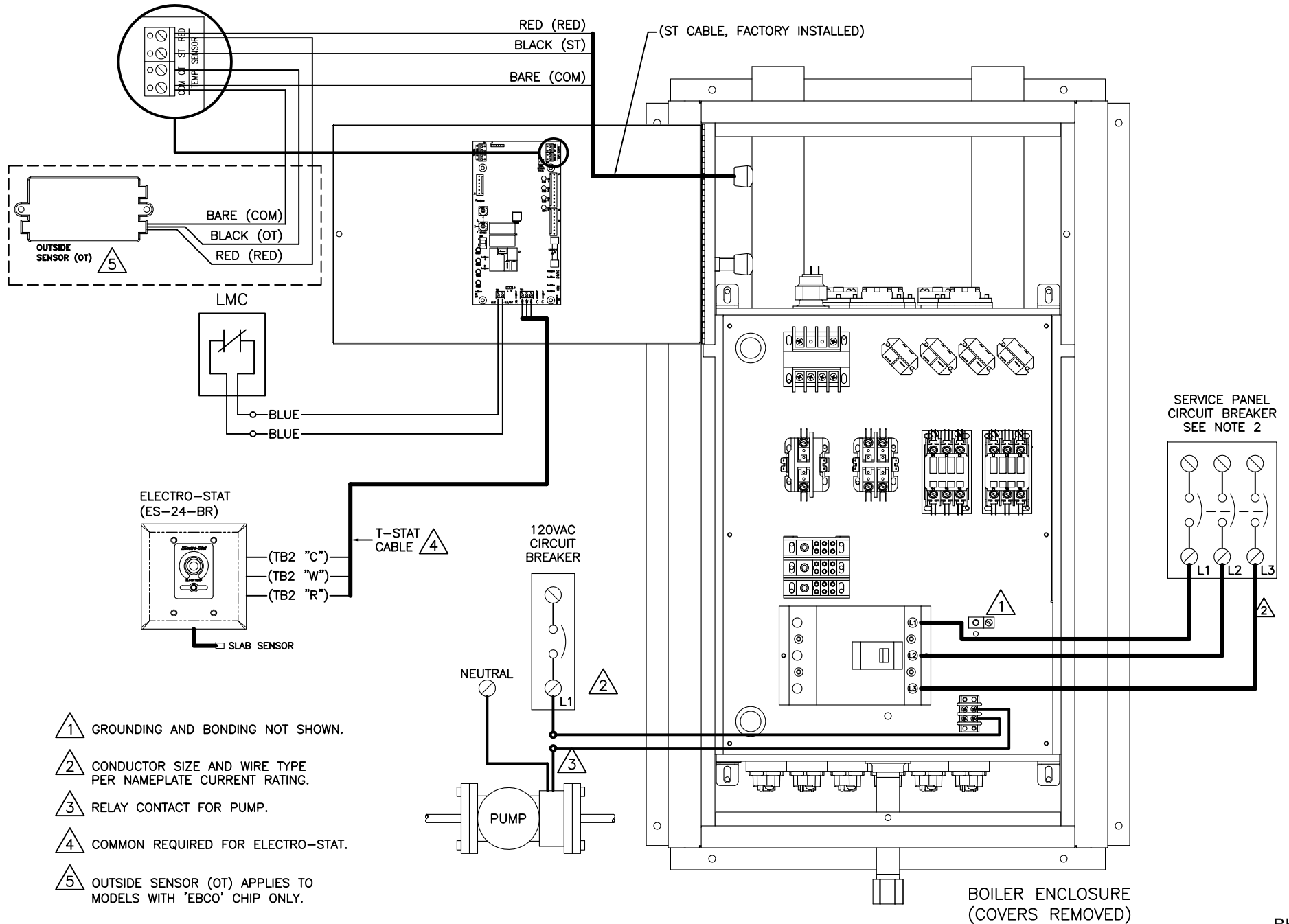


NOTES:

1. LOOSE PARTS SHIPPED WITH BASIC BOILER MODEL.
2. IF WOOD BOILER, REVERSE ORDER (ELECTRIC FEEDS WOOD).
3. MINIMUM 20" SPACING BETWEEN FLOOR AND BOTTOM OF BOILER.

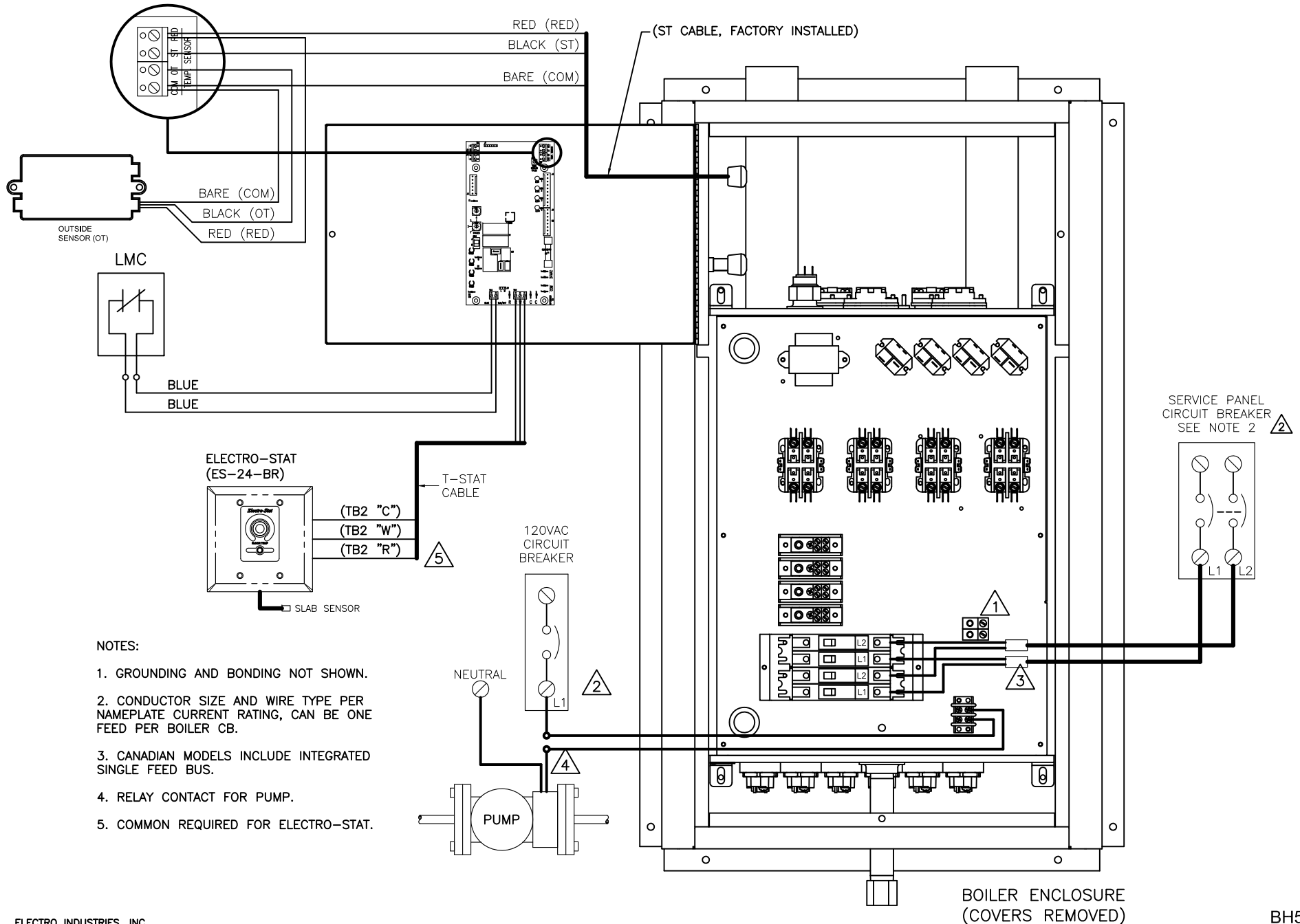
# EB-C\*-\*\*-\*\* HOOKUP, TS-SERIES INSTALLATION

## 208V, 240V, 480V, 600V - 3 PHASE



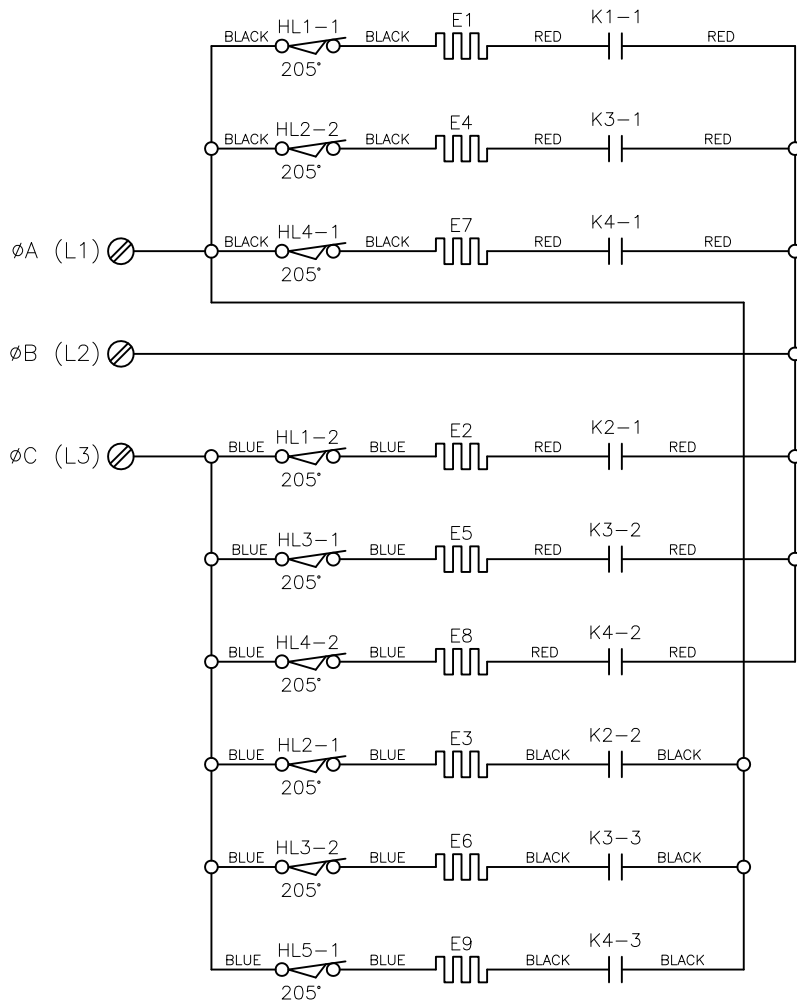
# EB-C\*-\*\* HOOKUP, TS-SERIES INSTALLATION

## 240V - 1 PHASE



### NOTES:

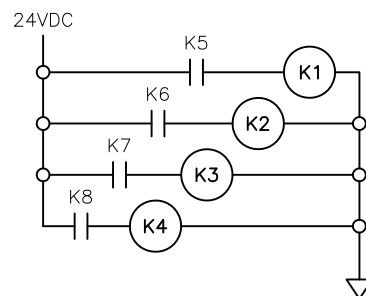
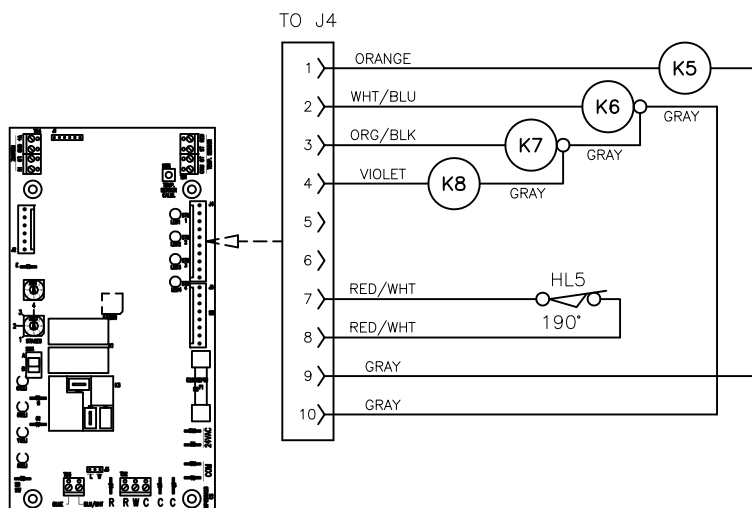
1. GROUNDING AND BONDING NOT SHOWN.
2. CONDUCTOR SIZE AND WIRE TYPE PER NAMEPLATE CURRENT RATING, CAN BE ONE FEED PER BOILER CB.
3. CANADIAN MODELS INCLUDE INTEGRATED SINGLE FEED BUS.
4. RELAY CONTACT FOR PUMP.
5. COMMON REQUIRED FOR ELECTRO-STAT.



SYMBOL LEGEND	
	ELEMENT
	HI-LIMIT (NC)
	RELAY CONTACTS
	RELAY COIL

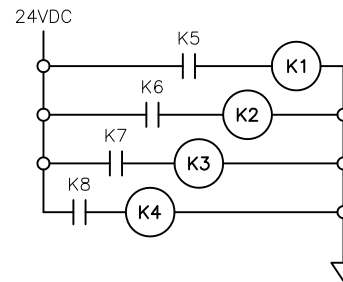
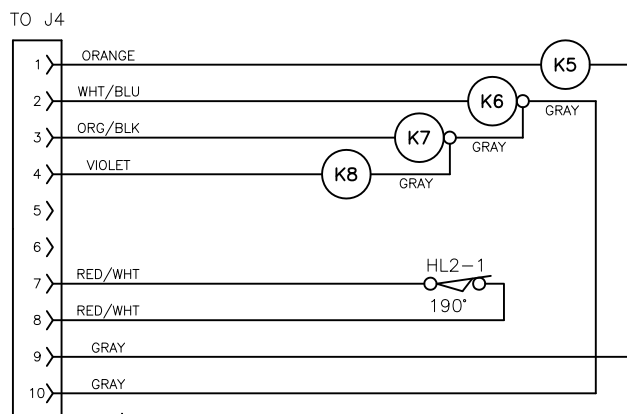
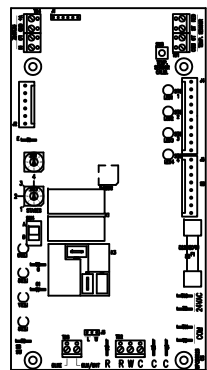
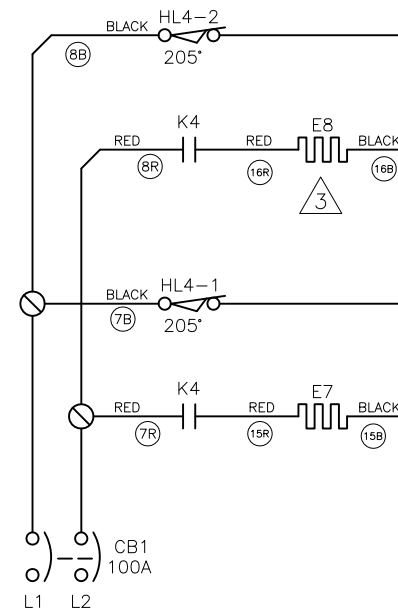
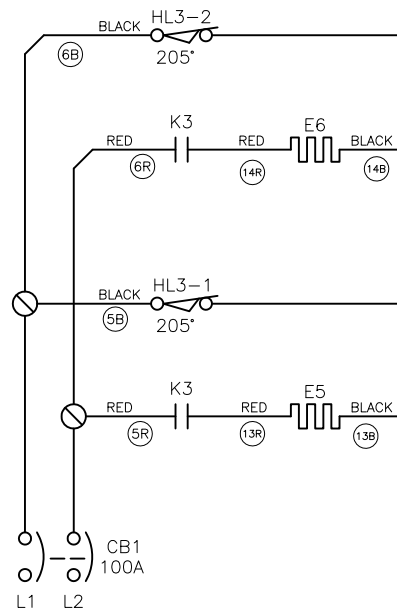
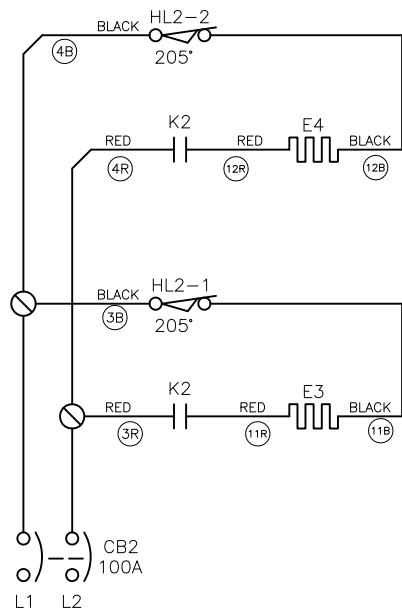
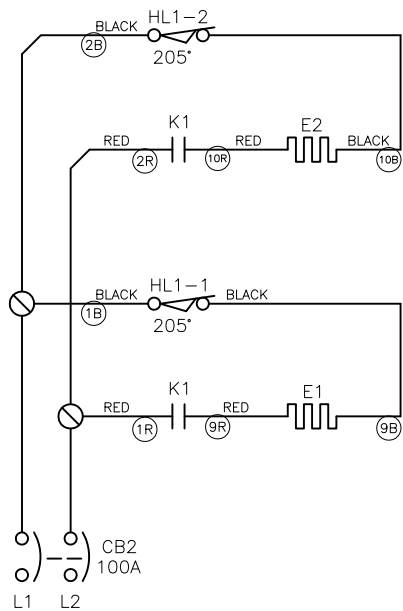
ELEMENT SIZE RELATES TO MODEL NUMBER

EB-C(A,O)-54-60	6kW
EB-C(A,O)-45-60	5kW
EB-C(A,O)-54-48	6kW
EB-C(A,O)-40-20	4.5kW
EB-C(A,O)-40-24	4.5kW



Rev. A 07-09-10: Added A,O Designation and EB-C(A,O)-54-60 Model.  
 10-29-04: Added EB-C-40-20 and EB-C-40-24 models.  
 09-17-04: Initial release.

PROPRIETARY AND CONFIDENTIAL	DESCRIPTION	ELECTRO INDUSTRIES, INC.	SHEET	SCALE	PART/MODEL NUMBER
NOTE: THE INFORMATION CONTAINED IN THIS DRAWING IS THE SOLE PROPERTY OF ELECTRO INDUSTRIES INC. ANY REPRODUCTION IN PART OR AS A WHOLE WITHOUT THE WRITTEN PERMISSION OF ELECTRO INDUSTRIES INC. IS PROHIBITED.	EB-C(A,O)-(54-60, 54-48, 45-60, 40-20, 40-24) WIRING SCHEMATIC	MONTECELLO, MN 55362	1/3	NTS	EB-C(A,O)-**--**
			DATE	REV/STATUS	DOCUMENT NUMBER
			07-09-10	A	BS505



SYMBOL LEGEND	
	CB# ##A CIRCUIT BREAKER (2PST)
	E# ELEMENT
	HL# ### HI-LIMIT (NC)
	K# K# RELAY CONTACTS
	K# RELAY COIL
	TERMINAL BLOCK VLUG3632

1 CIRCUIT BREAKER SIZE RELATES TO MODEL NUMBER  
 EB-C(A,O)-36 100A  
 EB-C(A,O)-40 125A  
 EB-C(A,O)-44 125A

2 ELEMENT SIZE RELATES TO MODEL NUMBER  
 EB-C(A,O)-36 4.5kW  
 EB-C(A,O)-40 5.0kW  
 EB-C(A,O)-44 5.5kW

3 FOR MODEL EB-C(A,O)-31:  
 REMOVE E8 AND ASSOCIATED COMPONENTS  
 CHANGE CB1 TO 80A WHILE LEAVING THE  
 REST AT 100A

MODEL EB-C(A,O)-36 SHOWN

**EB-C(A,O)-\*\***

Rev. A 07-08-10: Added 40 & 44kW. Changed Model Number (Added A,O Designation).

11-07-07: Circuit breaker changes, size and location, per markup.

10-13-04: Renumbered wires to use wire markers 1-16.

09-23-04: Renumbered wires to use wire markers 1-14.

09-21-04: Initial release. This schematic used in decal UAW403.

PROPRIETARY AND CONFIDENTIAL	DESCRIPTION	ELECTRO INDUSTRIES, INC.	SHEET	SCALE	PART/MODEL NUMBER
NOTE: THE INFORMATION CONTAINED IN THIS DRAWING IS THE SOLE PROPERTY OF ELECTRO INDUSTRIES INC. ANY REPRODUCTION IN PART OR AS A WHOLE WITHOUT THE WRITTEN PERMISSION OF ELECTRO INDUSTRIES INC. IS PROHIBITED.	EB-C(A,O)-(31,36,40,44) WIRING SCHEMATIC	MONTICELLO, MN 55362	1/1	NTS	EB-C(A,O)-**
			DRAWN	CHECKED	APPROVED
			JAD		
			DATE	REV/STATUS	DOCUMENT NUMBER
			07-09-10	A	BS506

# BOILER ACCESSORIES

---

## ZONE CONTROLLER

This will simplify your wiring and make zoning applications much easier. In addition, enhanced communicating features have the ability to stage the electric boiler based upon the connected zone capacity.

### Standard Features

- Utility load control
- Terminal block wiring, visual wiring layout
- Indicator lights showing zone operation
- 24-volt, 40VA transformer 120/208/240 connection
- Fuse protection
- Priority option
- Dual temperature operation
- Applies to digital or standard thermostats
- Dial switch, select each zone capacity



### Pumps, Actuators, Valves

- EB-ZTA-1 - install within boiler cabinet
- EB-ZEA-1 - with enclosure and 40VA transformer
- EB-ZEA-2 - add additional 4, enclosure and 40VA transformer

### Pumps

- EB-ZEA8 - with enclosure and 40VA transformer for 8 zone pumps

### Zone Valves

- EB-ZTS-1 - install within boiler cabinet, encl. option
- EB-ZTS-2 - add additional 4, enclosure and 40VA transformer
- EB-ZES8 - with enclosure, no transformer, for 8 zone valves

---

## SWITCHING RELAY - EE-5051

This DPDT 24-volt switching relay provides a convenient solution to any AC or DC application.



- **Ideal for zone pumps**
- 24V coil
- 120V, 10A, contact sets
- Easy to wire and nicely packaged

---

## MULTI-BOILER - EB-C-STG5

Electrically connects between 2<sup>nd</sup> and 3<sup>rd</sup>, 3<sup>rd</sup> and 4<sup>th</sup>, etc.

### OTHER OPTIONS

- SOT-1 Switchover to standby, total run time
- 5701 Single feed bus for 2 CB's (SQ-D CB)
- 5702 Single feed bus for 3 CB's (SQ-D CB)
- EB-S-SB Dual boiler option for EB-S Series
- WF-ANZ7 WarmFlo Analyzer, now applicable to WO and WA Series



**ELECTRO  
INDUSTRIES**

Monticello, Minnesota  
800.922.4138  
www.electromn.com



## TWO SUPPLY WATER TEMPERATURE REQUIREMENT

- Handled as the priority zone on multi-zone (EB-ZEA-1)
- Priority switch on, zone 1 active - TS boiler automatically changes to 150° (or selection 176°) supply water setting
- All other zones are held off
- With zone 1 satisfied or 60-minute timeout, the boiler automatically returns to the preset temperature and reacts to the other zones

Low Temp	High Temp
Radiant, slab	Radiant, staple up
Radiant, slab	Baseboard
Radiant, slab	Fan coil
Radiant, slab	Water heater, side arm
Radiant, slab	Hanging unit heater (garage, shop, etc.)

## INSTALLATION PLUMBING KITS

These installation kits provide the critical plumbing components needed for easy installation of the Electro-Boiler. **In addition** to the items shown in the matrix below, each kit includes all necessary ball valves, drain valve, tees, elbows, nipples, bushings, couplings, etc. for direct connection to circulator pump and/or manifold.

Electro Industries' boilers come standard equipped with outlet temperature/pressure gauge, pressure relief safety valve, and when applicable, the WarmFlo™ electronic control sensors. These kits provide the additional components for easy installation:

Model	Application	Return Gauge	Expansion Tank	Air Vent
EMB-BK	All EMB Series		2.1 gal. (7.9 L), 40,000 Btu/h	Basic float type
EMB-PK	All EMB Series	✓	2.1 gal. (7.9 L), 40,000 Btu/h	Enhanced air separator, EAS
EB-PK-M	EB-MS, -MA, -MO Series	✓	4.5 gal. (17 L), 135,000 Btu/h	Enhanced air separator, EAS
EB-BK-TS	EB-S, -WA, -WO Series		4.5 gal. (17 L), 135,000 Btu/h	Basic float type
EB-PK-TS	EB-S, -WA, -WO Series	✓	4.5 gal. (17 L), 135,000 Btu/h	Enhanced air separator, EAS

## CIRCULATING PUMPS



**5585 - Mini-Boiler & 10 kW TS Series**

- 120V, 1/25 HP, maintenance-free wet rotor circulator
- Pump curve example - 5 GPM (19 L) @ 11 ft. of head (32.9 kPa)



**5586 - TS Series, Standard**

- 120V, 1/6 HP, maintenance-free oil lubricated circulator
- Pump curve example - 10 GPM (37.8 L) @ 20 ft. of head (50.8 kPa)



**5578 - 3/4" Pipe**

**5582 - 1" Pipe**

**5579 - 1-1/4" Pipe**

- Two flanges, with isolation valve

# Electro Industries, Inc. Residential Limited Product Warranty

Effective November 1, 2009

Electro Industries, Inc. warrants to the original owner, at the original installation site, for a period of two (2) years from date of original purchase, that the product and product parts manufactured by Electro Industries, Inc. are free from manufacturing defects in materials and workmanship, when used under normal conditions and when such product has not been modified or changed in any manner after leaving the plant of Electro Industries, Inc. If any product or product parts manufactured by Electro Industries, Inc. are found to have manufacturing defects in materials or workmanship, such will be repaired or replaced by Electro Industries, Inc. Electro Industries, Inc., shall have the opportunity to directly, or through its authorized representative, examine and inspect the alleged defective product or product parts. Electro Industries, Inc. may request that the materials be returned to Electro Industries, Inc. at owner's expense for factory inspection. The determination as to whether product or product parts shall be repaired, or in the alternative, replaced, shall be made by Electro Industries, Inc. or its authorized representative.

Electro Industries, Inc. will cover labor costs according to the Repair / Replacement Labor Allowance Schedule for a period of ninety (90) days from the date of original purchase, to the original owner, at the original installation site. The Repair / Replacement Labor Allowance is designed to reduce the cost of repairs. This Repair / Replacement Labor Allowance may not cover the entire labor fee charged by your dealer / contractor.

## **TWENTY YEAR (20) LIMITED WARRANTY ON BOILER ELEMENTS AND VESSELS**

Electro Industries, Inc. warrants that the boiler elements and vessels of its products are free from defects in materials and workmanship through the twentieth year following date of original purchase. If any boiler elements or vessels are found to have a manufacturing defect in materials or workmanship, Electro Industries, Inc. will replace them.

## **TWENTY YEAR (20) LIMITED WARRANTY ON SPIN FIN ELEMENTS**

Electro Industries, Inc. warrants that the spin fin elements of its products are free from defects in materials and workmanship through the twentieth year following date of original purchase. If any spin fin elements are found to have a manufacturing defect in materials or workmanship, Electro Industries, Inc. will replace them.

## **FIVE YEAR (5) LIMITED WARRANTY ON OPEN WIRE ELEMENTS**

Electro Industries, Inc. warrants that the open wire elements of its products are free from defects in materials and workmanship through the fifth year following date of original purchase. If any open wire elements are found to have a manufacturing defect in materials or workmanship, Electro Industries, Inc. will replace them.



**ELECTRO  
INDUSTRIES**

Monticello, Minnesota  
800.922.4138  
[www.electromn.com](http://www.electromn.com)

## THESE WARRANTIES DO NOT COVER:

1. Costs for labor for removal and reinstallation of an alleged defective product or product parts, transportation to Electro Industries, and any other materials necessary to perform the exchange, except as stated in this warranty. Replacement material will be invoiced to the distributor in the usual manner and will be subject to adjustment upon verification of defect.
2. Any product that has been damaged as a result of being improperly serviced or operated, including, but not limited to, the following: operated with insufficient water or airflow, allowed to freeze, subjected to flood conditions, subjected to improper voltages or power supplies, operated with airflow or water conditions and/or fuels or additives which cause unusual deposits or corrosion in or on the product, chemical or galvanic erosion, improper maintenance or subject to any other abuse or negligence.
3. Any product that has been damaged as a result of natural disasters, including, but not limited to, the following: lightning, fire, earthquake, hurricanes, tornadoes or floods.
4. Any product that has been damaged as a result of shipment or handling by the freight carrier. It is the receiver's responsibility to claim and process freight damage with the carrier.
5. Any product that has been defaced, abused, or suffered unusual wear and tear as determined by Electro Industries or its authorized representative.
6. Workmanship of any installer of the product. This warranty does not assume any liability of any nature for unsatisfactory performance caused by improper installation.
7. Transportation charges for any replacement part or component, service calls, normal maintenance; replacement of fuses, filters, refrigerant, etc.

## CONDITIONS AND LIMITATIONS:

1. If at the time of a request for service the original owner cannot provide an original sales receipt or a warranty card registration then the warranty period for the product will have deemed to begin thirty (30) days after the date of manufacture and **NOT** the date of installation.
2. The product must have been sold and installed by a licensed electrical contractor, a licensed plumbing contractor, or a licensed heating contractor.
3. The application and installation of the product must be in compliance with Electro Industries' specifications as stated in the installation and instruction manual, and all state and federal codes and statutes. If not, the warranty will be null and void.
4. The purchaser shall have maintained the product in accordance with the manual that accompanies the unit. Annually, a qualified and licensed contractor must inspect the product to assure it is in proper working condition.
5. All related heating components must be maintained in good operating condition.
6. All lines must be checked to confirm that all condensation drains properly from the unit.
7. Replacement of a product or product part under this limited warranty does not extend the warranty term or period.
8. Replacement product parts are warranted to be free from defects in material and workmanship for ninety (90) days from the date of installation. All exclusions, conditions, and limitations expressed in this warranty apply.
9. Before warranty claims will be honored, Electro Industries shall have the opportunity to directly, or through its authorized representative, examine and inspect the alleged defective product or product parts. Remedies under this warranty are limited to repairing or replacing alleged defective product or product parts. The decision whether to repair or, in the alternative replace, products or product parts shall be made by Electro Industries or its authorized representative.

THESE WARRANTIES DO NOT EXTEND TO ANYONE EXCEPT THE ORIGINAL PURCHASER AT RETAIL AND ONLY WHEN THE PRODUCT IS IN THE ORIGINAL INSTALLATION SITE. THE REMEDIES SET FORTH HEREIN ARE EXCLUSIVE.

ALL IMPLIED WARRANTIES, INCLUDING WARRANTIES OF MERCHANTABILITY AND FITNESS FOR A PARTICULAR PURPOSE, ARE HEREBY DISCLAIMED WITH RESPECT TO ALL PURCHASERS OR OWNERS. ELECTRO INDUSTRIES, INC. IS NOT BOUND BY PROMISES MADE BY OTHERS BEYOND THE TERMS OF THESE WARRANTIES. FAILURE TO RETURN THE WARRANTY CARD SHALL HAVE NO EFFECT ON THE DISCLAIMER OF THESE IMPLIED WARRANTIES.

ALL EXPRESS WARRANTIES SHALL BE LIMITED TO THE DURATION OF THIS EXPRESS LIMITED WARRANTIES SET FORTH HEREIN AND EXCLUDE ANY LIABILITY FOR CONSEQUENTIAL OR INCIDENTAL DAMAGES RESULTING FROM THE BREACH THEREOF. SOME STATES DO NOT ALLOW THE EXCLUSION OR LIMITATION OF INCIDENTAL OR CONSEQUENTIAL DAMAGES, SO THE ABOVE LIMITATIONS OR EXCLUSIONS MAY NOT APPLY. PRODUCTS OR PARTS OF OTHER MANUFACTURERS ATTACHED ARE SPECIFICALLY EXCLUDED FROM THE WARRANTY.

THIS WARRANTY GIVES YOU SPECIFIC LEGAL RIGHTS, AND YOU MAY HAVE OTHER RIGHTS WHICH VARY UNDER THE LAWS OF EACH STATE. IF ANY PROVISION OF THIS WARRANTY IS PROHIBITED OR INVALID UNDER APPLICABLE STATE LAW, THAT PROVISION SHALL BE INEFFECTIVE TO THE EXTENT OF THE PROHIBITION OR INVALIDITY WITHOUT INVALIDATING THE REMAINDER OF THE AFFECTED PROVISION OR THE OTHER PROVISIONS OF THIS WARRANTY.

# **Electro Industries, Inc.**

## **3-Phase Boiler Limited Product Warranty**

Effective September 1, 2008

Electro Industries, Inc. warrants to the original owner, at the original installation site, for a period of one (1) year from date of installation, that the product and product parts manufactured by Electro Industries are free from manufacturing defects in materials and workmanship, when used under normal conditions and when such product has not been modified or changed in any manner after leaving the plant of Electro Industries. If any product or product parts manufactured by Electro Industries are found to have manufacturing defects in materials or workmanship, such will be repaired or replaced by Electro Industries. Electro Industries, shall have the opportunity to directly, or through its authorized representative, examine and inspect the alleged defective product or product parts. Electro Industries may request that the materials be returned to Electro Industries at owner's expense for factory inspection. The determination as to whether product or product parts shall be repaired, or in the alternative, replaced, shall be made by Electro Industries or its authorized representative.

### **ONE YEAR (1) LIMITED WARRANTY ON BOILER PARTS**

Electro Industries, Inc. warrants that the parts of its 3-Phase Boilers are free from defects in materials and workmanship through the first year following date of installation. If any product parts are found to have a manufacturing defect in materials or workmanship, Electro Industries will repair or replace them at their discretion.

### **ONE YEAR (1) LIMITED WARRANTY ON BOILER ELEMENTS**

Electro Industries, Inc. warrants that the elements of its 3-Phase Boilers are free from defects in materials and workmanship through the first year following date of installation. If any elements are found to have a manufacturing defect in materials or workmanship, Electro Industries will replace them.

### **FIVE YEAR (5) LIMITED WARRANTY ON BOILER VESSELS**

Electro Industries, Inc. warrants that the boiler vessels of its 3-Phase Boilers are free from defects in materials and workmanship through the fifth year following date of installation. If any vessels are found to have a manufacturing defect in materials or workmanship, Electro Industries will repair or replace them at their discretion.



**ELECTRO INDUSTRIES, INC.**  
2150 West River Street, PO Box 538, Monticello, MN 55362  
763.295.4138 • 800.922.4138 • fax 763.295.4434  
sales@electromn.com • www.electromn.com

## THESE WARRANTIES DO NOT COVER:

1. Costs for labor for removal and reinstallation of an alleged defective product or product parts, transportation to Electro Industries, and any other materials necessary to perform the exchange, except as stated in this warranty. Replacement material will be invoiced to the distributor in the usual manner and will be subject to adjustment upon verification of defect.
2. Any product that has been damaged as a result of being improperly serviced or operated, including, but not limited to, the following: operated with insufficient water or air flow; allowed to freeze; subjected to flood conditions; subjected to improper voltages or power supplies; operated with air flow or water conditions and/or fuels or additives which cause unusual deposits or corrosion in or on the product; chemical or galvanic erosion; improper maintenance or subject to any other abuse or negligence.
3. Any product that has been damaged as a result of natural disasters, including, but not limited to, lightning, fire, earthquake, hurricanes, tornadoes or floods.
4. Any product that has been damaged as a result of shipment or handling by the freight carrier. It is the receiver's responsibility to claim and process freight damage with the carrier.
5. Any product that has been defaced, abused or suffered unusual wear and tear as determined by Electro Industries or its authorized representative.
6. Workmanship of any installer of the product. This warranty does not assume any liability of any nature for unsatisfactory performance caused by improper installation.
7. Transportation charges for any replacement part or component, service calls, normal maintenance; replacement of fuses, filters, refrigerant, etc.

## CONDITIONS AND LIMITATIONS:

1. If at the time of a request for service the original owner can not provide an original sales receipt or a warranty card registration then the warranty period for the product will have deemed to begin thirty (30) days after the date of manufacture and **NOT** the date of installation.
2. The product must have been sold and installed by a licensed electrician, plumbing, or heating contractor.
3. The application and installation of the product must be in compliance with Electro Industries specifications, as stated in the installation and instruction manual, and all state and federal codes and statutes. If not, the warranty will be null and void.
4. The purchaser shall have maintained the product in accordance with the manual that accompanies the unit. Annually, a qualified and licensed contractor must inspect the product to assure it is in proper working condition.
5. All related heating components must be maintained in good operating condition.
6. All lines must be checked to confirm that all condensation drains properly from the unit.
7. Replacement of a product or product part under this limited warranty does not extend the warranty term or period.
8. Replacement product parts are warranted to be free from defects in material and workmanship for ninety (90) days from the date of installation. All exclusions, conditions, and limitations expressed in this warranty apply.
9. Before warranty claims will be honored, Electro Industries shall have the opportunity to directly, or through its authorized representative, examine and inspect the alleged defective product or product parts. Remedies under this warranty are limited to repairing or replacing alleged defective product or product parts. The decision whether to repair or, in the alternative, replace products or product parts shall be made by Electro Industries or its authorized representative.

THESE WARRANTIES DO NOT EXTEND TO ANYONE EXCEPT THE ORIGINAL PURCHASER AT RETAIL AND ONLY WHEN THE PRODUCT IS IN THE ORIGINAL INSTALLATION SITE. THE REMEDIES SET FORTH HEREIN ARE EXCLUSIVE.

ALL IMPLIED WARRANTIES, INCLUDING WARRANTIES OF MERCHANTABILITY AND FITNESS FOR A PARTICULAR PURPOSE, ARE HEREBY DISCLAIMED WITH RESPECT TO ALL PURCHASERS OR OWNERS. ELECTRO INDUSTRIES, INC. IS NOT BOUND BY PROMISES MADE BY OTHERS BEYOND THE TERMS OF THESE WARRANTIES. FAILURE TO RETURN THE WARRANTY CARD SHALL HAVE NO EFFECT ON THE DISCLAIMER OF THESE IMPLIED WARRANTIES.

ALL EXPRESS WARRANTIES SHALL BE LIMITED TO THE DURATION OF THIS EXPRESS LIMITED WARRANTIES SET FORTH HEREIN AND EXCLUDE ANY LIABILITY FOR CONSEQUENTIAL OR INCIDENTAL DAMAGES RESULTING FROM THE BREACH THEREOF. SOME STATES DO NOT ALLOW THE EXCLUSION OR LIMITATION OF INCIDENTAL OR CONSEQUENTIAL DAMAGES, SO THE ABOVE LIMITATIONS OR EXCLUSIONS MAY NOT APPLY. PRODUCTS OR PARTS OF OTHER MANUFACTURERS ATTACHED ARE SPECIFICALLY EXCLUDED FROM THE WARRANTY.

THIS WARRANTY GIVES YOU SPECIFIC LEGAL RIGHTS, AND YOU MAY HAVE OTHER RIGHTS WHICH VARY UNDER THE LAWS OF EACH STATE. IF ANY PROVISION OF THIS WARRANTY IS PROHIBITED OR INVALID UNDER APPLICABLE STATE LAW, THAT PROVISION SHALL BE INEFFECTIVE TO THE EXTENT OF THE PROHIBITION OR INVALIDITY WITHOUT INVALIDATING THE REMAINDER OF THE AFFECTED PROVISION OR THE OTHER PROVISIONS OF THIS WARRANTY.